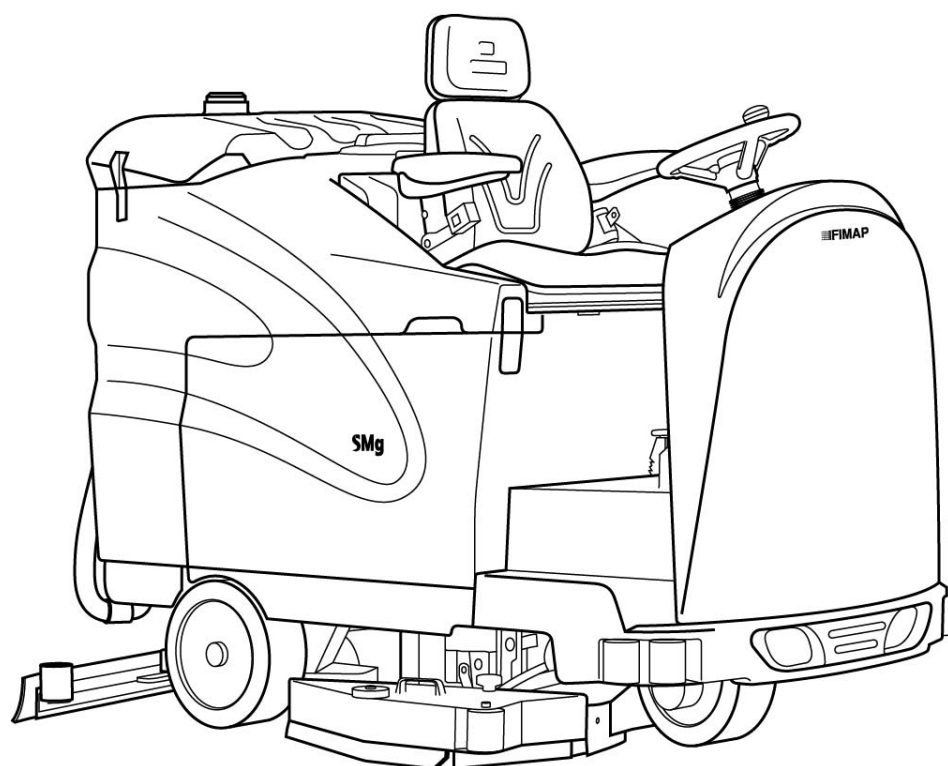


USE AND MAINTENANCE MANUAL



SMG120 B

ED. 09-2019

ENG

ORIGINAL
INSTRUCTIONS
Doc. 10034073
Ver. AB



The descriptions contained in this document are not binding.
The company therefore reserves the right to make any modifications at any time to elements, details, or accessory supply, as considered necessary for reasons of improvement or manufacturing/commercial requirements.
The reproduction, even partial, of the text and drawings contained in this document is prohibited by law.

The company reserves the right to make any technical and/or supply modifications. The images are for reference purposes only, and are not binding in terms of design and supply.

Symbols used in the manual



Open book symbol with an "i"
Indicates the need to consult the instruction manual



Open book symbol
Used to tell the operator to read the manual before using the machine



Warning symbol
Carefully read the sections marked with this symbol and observe the indications, for the safety of the operator and the machine



Warning symbol
Indicates danger of gas exhalation and leakage of corrosive liquids



Warning symbol
Indicates operator should take safety measures to avoid damage to limbs.



Warning symbol
Indicates the danger of fire.
Keep naked flames at a safe distance



Warning symbol
Indicates that the packed product should be handled with suitable lifting means that comply with the legal requirements



Disposal symbol
Carefully read the sections marked with this symbol, for machine disposal

CONTENTS

ON CONSIGNMENT OF THE MACHINE.....	5
SERIAL NUMBER PLATE	5
INTRODUCTORY COMMENT	5
INTENDED USE	5
TECHNICAL DESCRIPTION.....	6
SYMBOLS USED ON THE MACHINE	7
GENERAL SAFETY REGULATIONS	10
PREPARATION OF MACHINE	11
1. HANDLING THE PACKED MACHINE	11
2. HOW TO MOVE THE MACHINE	11
3. INSTRUMENT PANEL COMPONENTS	11
4. STEERING COLUMN COMPONENTS	12
5. FOOTBOARD COMPONENTS	13
6. SEAT SUPPORT COMPONENTS	13
7. REAR COMPONENTS OF THE MACHINE	13
8. FRONT MACHINE COMPONENTS.....	14
9. BATTERY TYPE	14
10. BATTERY MAINTENANCE AND DISPOSAL.....	14
11. HANDLING - INSERTING BATTERIES	15
12. CONNECTING THE BATTERIES AND BATTERY CONNECTOR	16
13. CONNECTING THE BATTERY CHARGER.....	16
14. BATTERY CHARGE LEVEL INDICATOR (BATTERY VERSION).....	17
15. SERVICE BRAKE – PARKING BRAKE	17
16. WORKING FORWARD SPEED.....	18
17. MOVEMENT OF THE BRUSH HEAD UNIT.....	18
18. INCREASING THE PRESSURE ON THE BRUSH HEAD UNIT	19
19. SOLUTION TANK	19
20. FILLING THE DETERGENT SOLUTION TANK.....	19
21. REGULATING THE DETERGENT	20
22. RECOVERY TANK.....	21
23. ASSEMBLING THE SQUEEGEE.....	21
24. ADJUSTING THE SQUEEGEE INCLINATION	21
25. ADJUSTING THE SQUEEGEE HEIGHT	21
26. ASSEMBLING THE BRUSHES	22
27. SAFETY BELT INSERTION	22
28. PRIMING THE DETERGENT PUMP	23
WORK	24
29. WORK.....	24
30. BRAKING SYSTEM OIL LEVEL	25
31. CHOPPER CIRCUIT BOARD FAULT	25
32. SOLUTION TANK EMPTY	25
33. BRUSH HEAD MOTOR UNDER PRESSURE.....	25
34. MOVEMENT OF THE BRUSH HEAD UNIT.....	25
AT THE END OF THE WORK	26
35. AT THE END OF THE WORK	26
DAILY MAINTENANCE.....	27
36. CLEANING THE VACUUM MOTOR FILTER	27
37. CLEANING THE RECOVERY TANK	27
38. CLEANING THE SQUEEGEE	28
39. CLEANING THE SOLUTION TANK FILTER.....	28
WEEKLY MAINTENANCE.....	29
40. CLEANING THE VACUUM HOSE	29
41. CLEANING THE SOLUTION TANK.....	29
42. DETERGENT TANK CLEANING	30
43. BRUSH CLEANING.....	31

EXTRAORDINARY MAINTENANCE	32
44. REPLACING THE FRONT SQUEEGEE RUBBER	32
45. REPLACING THE REAR SQUEEGEE RUBBER	32
46. REPLACING THE REAR SPLASH GUARD RUBBER ON THE SIDE COVER OF THE BRUSH HEAD	32
47. REPLACING THE FRONT SPLASH GUARD RUBBER ON THE SIDE COVER OF THE BRUSH HEAD	33
48. ADJUSTING THE HEIGHT OF THE SIDE SPLASH GUARDS.....	34
49. CLEANING THE DOSING SYSTEM	34
TROUBLESHOOTING.....	36
50. THE MACHINE DOES NOT START	36
51. INSUFFICIENT WATER ON THE BRUSHES	36
52. THE SQUEEGEE DOES NOT DRY PERFECTLY	36
53. THE MACHINE DOES NOT CLEAN WELL	36
54. EXCESSIVE FOAM PRODUCTION	36
55. THE VACUUM CLEANER DOES NOT FUNCTION.....	36
56. THE BRUSH MOTOR DOES NOT WORK	36
57. ELECTRIC FUSES AND THERMAL CUT-OUTS.....	37
58. THE AUTOMATIC WATER/DETERGENT DOSING SYSTEM DOES NOT WORK	37
59. ALARMS.....	37
DISPOSAL	38
CHOOSING AND USING THE BRUSHES.....	39
EC DECLARATION OF CONFORMITY	40

On consignment of the machine

When the machine is consigned to the customer, an immediate check must be performed to ensure all the material mentioned in the shipping documents has been received, and also to check the machine has not suffered damage during transportation. If this is the case, the carrier must ascertain the extent of the damage at once, informing our customer service office. It is only by prompt action of this type that the missing material can be obtained, and compensation for damage successfully claimed.

Introductory comment

The SMG 120 is a floor scrubbing machine which, by means of the mechanical action of the rotating brush and the chemical action of a water-detergent solution, can clean any type of flooring. As it advances, it also collects any removed dirt as well as the detergent solution not absorbed by the floor.

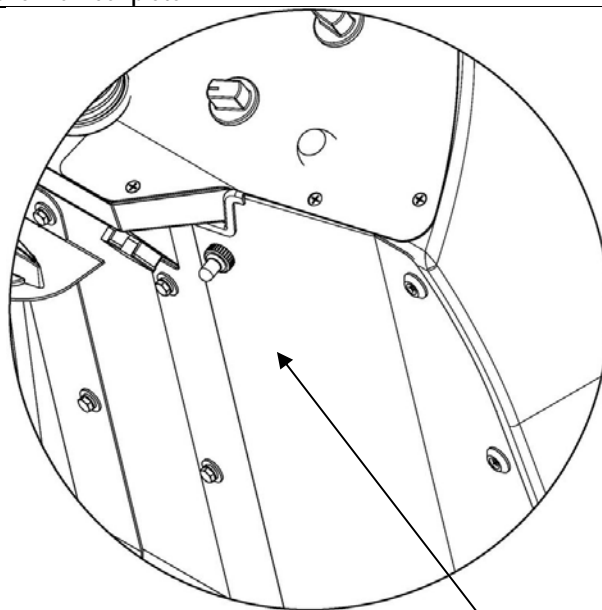
The machine must only be used for this purpose. Even the best machines will only work well if used correctly and kept in good working order. We therefore recommend you read this instruction booklet carefully, and consult it whenever difficulties arise while using the machine. If necessary, remember that our customer assistance service (organised in collaboration with our dealers) is always available for advice or direct intervention.

Intended use

The floor scrubbing machine is designed for the professional cleaning of surfaces and floors in industrial, commercial and public environments only. It is only suitable for use in closed (or at least covered) places.

The machine is not suitable for use in the rain, or under water jets. IT IS FORBIDDEN to use the machine for picking up dangerous dusts or inflammable liquids in places with an explosive atmosphere. In addition, it is not suitable as a means of transport for people or objects.

Serial number plate



TECHNICAL DESCRIPTION	U/M	SMg 120
Nominal input power [IEC 60335-2-72; IEC 62885-9]	kW	4.97
Working width	mm	1200
Squeegee width	mm	1266
Working capacity, up to	m ² /h	7250
Disc brush	No. / Ø mm	2 / 610
Disc brush rotations	rpm	130
Brush motor	V/W	36/2000
Force exerted on the brush (step-01; step-02; step-03)	N	1275; 1375; 1470
Traction motor	V/W	36 / 1500
Traction wheel (diameter / width)	Ø mm / mm	300 / 120
Maximum forward speed	km/h	6,7
Maximum gradient with full load	%	10
Suction motor	No./(V/W)	2 / (36 / 650)
Maximum vacuum [IEC 62885-9; IEC 60312-1]	kPa	17.6
Rear elastic wheels (diameter / width)	Ø mm / mm	370 / 140
Solution tank	l	280
Recovery tank	l	335
Detergent tank (FSS version)	l	19
Steering diameter	mm	3450
Machine dimensions (Length / Height / Width)	mm	2160x1675x1340
Battery compartment dimensions (Length / Height / Width)	mm	540x530x745
Recommended battery box (4 PZS 360)	V / AhC ₅	36 / 360
Recommended battery box dry weight	kg	420
Machine weight when empty	kg	655
Transported machine weight	kg	1075
Gross weight of the machine ready for use	kg	1450
Sound pressure level in operator seat [ISO 11201] (LpA)	dB	68.5
Uncertainty K _{pA}	dB	1.4
Whole body vibrations [IEC 60335-2-72; IEC 62885-9; ISO 2631-1]	m/s ²	<0,5
Hand-arm vibrations [IEC 60335-2-72; IEC 62885-9; ISO 5349-1]	m/s ²	<2.5
Uncertainty		3,5%

SYMBOLS USED ON THE MACHINE



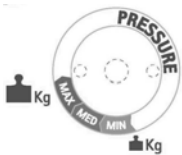
Main switch or key switch symbol
Used on the instrument panel, to indicate the key switch for machine operation on (ON-I) or off (OFF-0)



Symbol denoting horn
Used to indicate the acoustic alarm button



Symbol denoting forwards and backwards speed selector
Used on the instrument panel, to indicate the speed of the forwards or backwards movements of the machine



Symbol denoting pressure applied to the brushes
Used to indicate the knob for increasing the brush pressure



Brush head / squeegee operating symbols
Used to indicate the I-DRIVE programs selector



Symbol denoting incorrect functioning
Used on the instrument panel to indicate the red warning light showing incorrect machine traction functioning



Symbol denoting ammetric check of the brush motor
Used on the instrument panel, for the red indicator light showing the brush motor is under pressure (force)



Symbol denoting parking brake engaged or incorrect braking system fluid level
Used on the instrument panel to indicate the red warning light showing the engagement of parking brake or the absence of oil in the work braking system



Symbol denoting solution tank empty
Used on the instrument panel to indicate the red warning light showing a low level of water/detergent solution in the solution tank

SYMBOLS USED ON THE MACHINE



Symbol denoting recovery tank rotation
Used on the instrument panel, for the green indicator light indicating rotation consent to recovery tank



Symbol denoting water and detergent level adjustment
Used on the left side of the control panel, to indicate the knobs for adjusting the percentage level of detergent dissolved in the water, and the level of water distributed on the brushes



Symbol denoting the control to open or close the recovery tank and the vacuum cap
Used on the steering column to indicate the control which allows the recovery tank and the vacuum cap to be opened or closed



Dead man's control symbol
Used on the steering column to indicate the dead man's control which allows the recovery tank and the vacuum cap to be opened or closed



Symbol denoting tap regulation
Used on the central panel of the steering cover, to indicate the tap knob to regulate the water



Parking brake pedal symbol
Used on the solution tank to indicate the position of the parking brake pedal



Symbol denoting the machine's power supply voltage
Used on the front of the machine, in correspondence with the battery charger socket insertion nozzle, to indicate the machine's power supply voltage



Label warning operator to take safety measures to avoid damage to limbs



Label indicating the position of the quick release coupling for filling the solution tank



Symbol indicating the maximum temperature of the water used to fill the solution tank

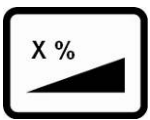
SYMBOLS USED ON THE MACHINE



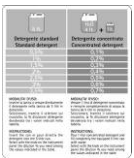
Symbol indicating the position of the solution tank drain pipe



Symbol indicating the position of the recovery tank drainage tube



Indicates the maximum gradient



Label with instructions for using standard or concentrated detergents



Label with warnings relating to the type of detergent to use



Label with the pH value of the detergent to use



Label relating to uncoupling the seat support
Displayed on the seat support to indicate the uncoupling handle



Symbol denoting treading ban
Used to indicate the area of the machine on which it is forbidden to tread or stand



Label indicating the position of the suction motor thermal circuit breakers

GENERAL SAFETY REGULATIONS

Before using the machine, please read the following document carefully and follow the instructions contained herein, along with the instructions in the document supplied with the machine itself, "GENERAL SAFETY REGULATIONS" (document code 10083659).

PREPARATION OF MACHINE

1. HANDLING THE PACKED MACHINE

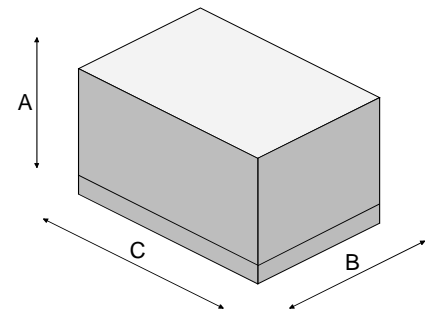
The machine is contained in specific packaging with a pallet for the handling with fork trucks. The packages CANNOT be placed on top of each other. The total weight of the machine and packaging is 680kg. The packaging dimensions are as follows:

SMG120 B

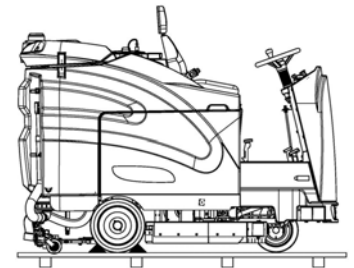
A : 1620 mm

B: 1520 mm

C: 2380 mm



1. Remove the outer packaging
2. The machine is fixed to the pallet with wedges which block the wheels
3. Remove the wedges
4. Use a chute to get the machine down from the pallet, pushing it backwards. Do not assemble the rear squeegee before unloading the machine, and avoid violently jolting the brush head. To assemble the squeegee, read the section "ASSEMBLING THE SQUEEGEE".



5. Keep the pallet for any future transport needs



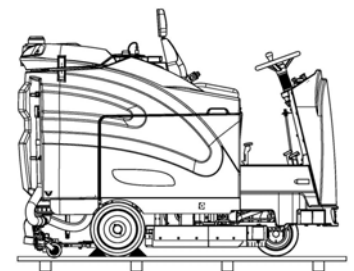
ATTENTION: If the product is delivered in cardboard containers, handle the packed product with suitable lifting means that comply with the legal requirements



ATTENTION: During this operation, check there are no people or objects near the machine

2. HOW TO MOVE THE MACHINE

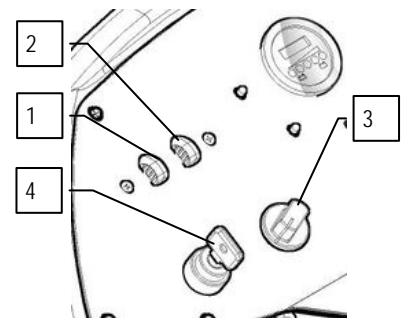
1. Make sure the solution tank and the recovery tank are empty
2. Check that the detergent canister is empty
3. Check that the brush head and squeegee are in the raised position
4. Place it on a pallet using a chute
5. Check that the key switch is in the "0" position and remove the key
6. Engage the parking brake
7. Secure the machine to the pallet using wooden wedges



3. INSTRUMENT PANEL COMPONENTS

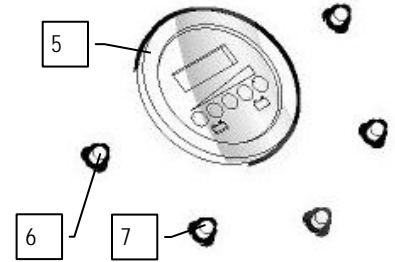
The instrument panel components are identified as follows:

1. Knob to adjust the flow of water in the brushes
2. Knob to adjust the flow of detergent in the brushes
3. 3-way knob to set working speed
4. Main key switch

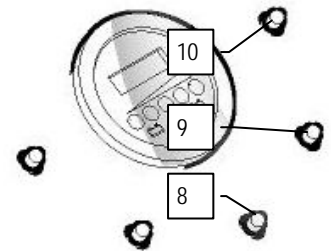


PREPARATION OF MACHINE

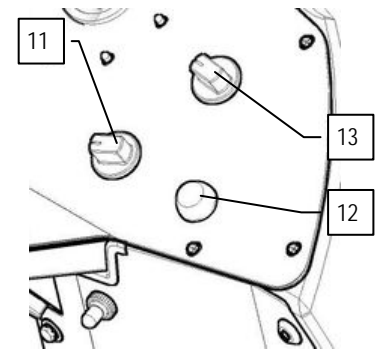
- 5. Level indicator for battery/hour meter
- 6. Red warning light indicating that there is a malfunction in the machine traction
- 7. Red indicator light, indicates that the parking brake is engaged or indicates the machine's braking system oil reserve level



- 8. Red warning light indicating that the brush head motor is working under pressure (force)
- 9. Red indicator light, indicates that the water has reached reserve level
- 10. Green indicator light, indicates consent to rotate the recovery tank

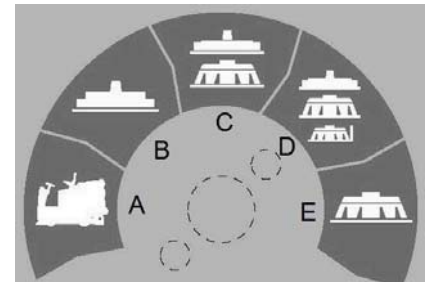


- 11. 3-way knob to set force applied to brushes during operation
- 12. Horn button
- 13. Working program adjustment switch, I-Drive device



Choose the desired working program with the I-Drive device:

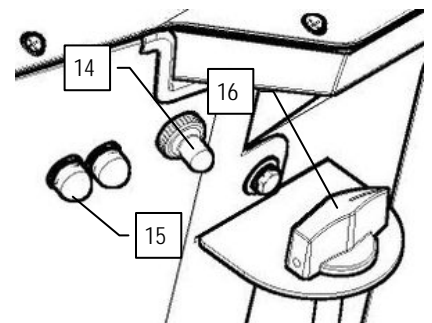
- A. Transfer: movement of the machine without working
- B. Drying: use the squeegee only
- C. Central brushes Scrubbing / Drying: use both the brushes and the squeegee
- D. Central brushes moved to the side Washing / Drying: use both the brushes that have been moved laterally to the right and the squeegee
- E. Scrubbing only: use brushes only



4. STEERING COLUMN COMPONENTS

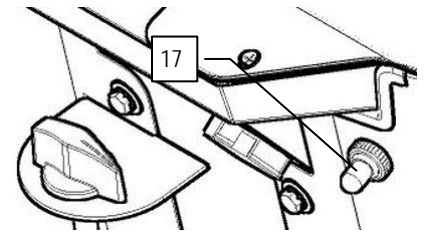
The steering column components on the left side are identified as follows:

- 14. Dead man's control
- 15. Suction motor thermal circuit breakers
- 16. Water adjustment knob



PREPARATION OF MACHINE

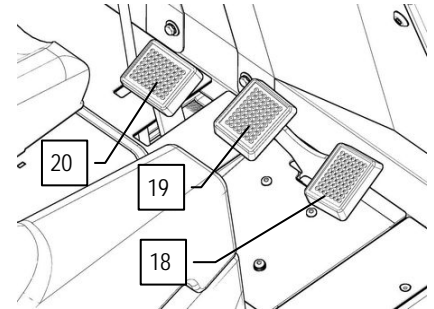
17. Switch for opening and closing the vacuum cap and recovery tank rotation



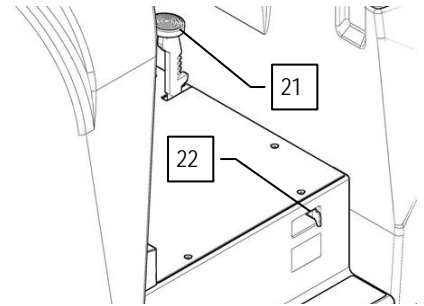
5. FOOTBOARD COMPONENTS

The components at the front right of the footboard are identified as follows:

- 18. Forward movement pedal
- 19. Backward movement pedal
- 20. Brake pedal



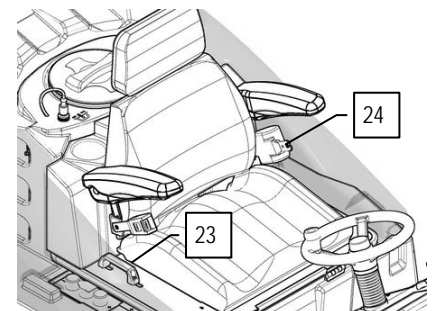
- 21. Parking brake pedal
- 22. Battery charger plug insertion hatch



6. SEAT SUPPORT COMPONENTS

The seat support components are identified as follows:

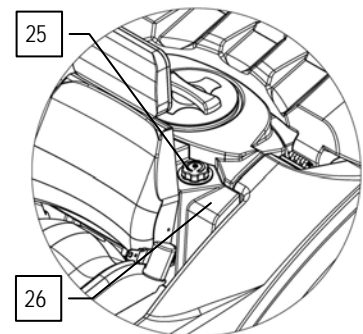
- 23. Seat lifting handle
- 24. Safety belt



7. REAR COMPONENTS OF THE MACHINE

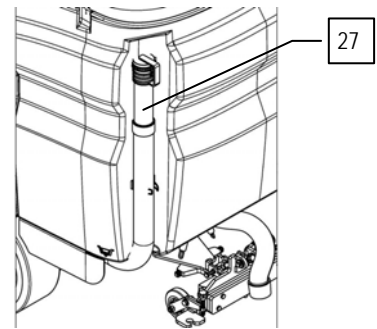
The rear components of the machine are identified as follows:

- 25. Detergent tank cap - detergent level indicator
- 26. Detergent solution tank



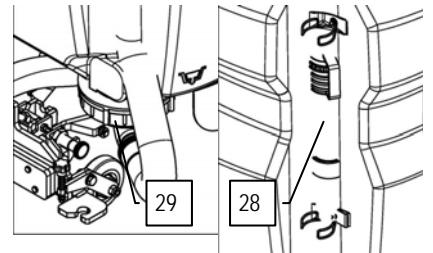
PREPARATION OF MACHINE

27. Solution tank drain pipe



28. Recovery tank drainage tube

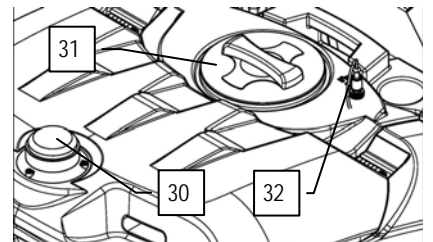
29. Recovery tank discharge cap



30. Blinking light

31. Water/detergent solution filler cap

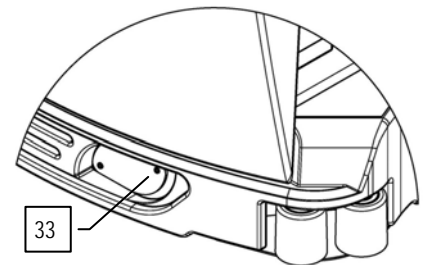
32. Rapid filling kit



8. FRONT MACHINE COMPONENTS

The front components of the machine are identified as follows:

33. Headlights



9. BATTERY TYPE

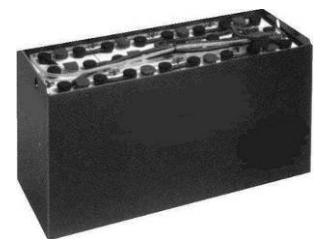
To power the machine it is necessary to use:

- liquidelectrolyte lead traction batteries;
- sealed traction batteries with gas recombination or gel technology.

OTHER TYPES MUST NOT BE USED.

The batteries must meet the requirements laid out in the norms: CEI EN 60254-1:2005-12 (CEI 21-5) + CEI EN 60254-2:2008-06 (CEI 21-7)

For a good operating performance, we suggest the use of two 18V 360 Ah/C5 battery cases



10. BATTERY MAINTENANCE AND DISPOSAL

For maintenance and recharging, respect the instructions provided by the battery manufacturer.

Particular attention must be paid when choosing the battery charger, if not supplied, since there are different kinds according to the type and capacity of the battery.

When the battery reaches the end of its working life, it must be disconnected by expert, trained personnel then removed from the battery compartment with the aid of suitable lifting devices. EXHAUSTED BATTERIES ARE CLASSIFIED AS DANGEROUS WASTE AND MUST BE CONSIGNED TO THE AUTHORISED BODIES FOR CORRECT DISPOSAL.

PREPARATION OF MACHINE



ATTENTION: users are advised to always wear protective gloves, to avoid the risk of serious injury to hands.



ATTENTION: you are advised to only lift and move the batteries with lifting and transportation means suitable for the specific weight and size

11. HANDLING - INSERTING BATTERIES

The batteries must be housed in the special compartment beneath the seat casing. They should be handled using lifting equipment that is suitable in terms of both weight and coupling system. They must also satisfy the requirements of Standard CEI 21-5. The dimensions of the battery compartment are: 740mm x 540mm x H525mm.



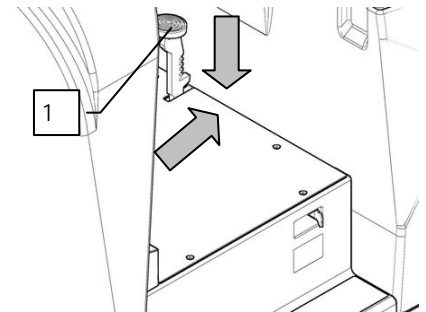
ATTENTION: for battery maintenance and daily recharging, you must fully respect the indications provided by the manufacturer or retailer. All installation and maintenance operations must be carried out by specialised personnel.



ATTENTION: You are advised to use airtight batteries only, to avoid the leakage of acids!

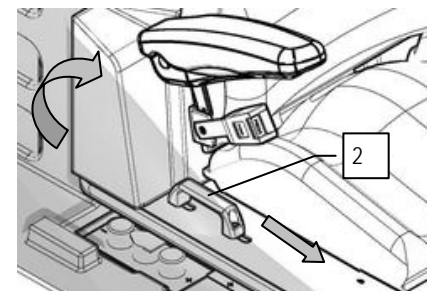


ATTENTION: users are advised to always wear protective gloves, to avoid the risk of serious injury to hands.



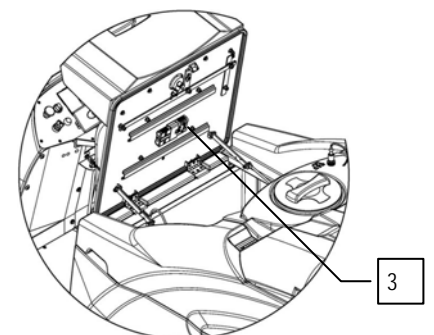
To insert batteries proceed as follows:

1. Lock the machine using the parking brake, by pressing down on the pedal (1) and moving it towards the rear of the machine
2. Make sure the recovery tank is empty, otherwise empty it completely
3. Make sure the detergent tank is empty, otherwise empty it completely
4. Check that the main switch is in the "Off -0" position
5. Grip the seat rotation uncoupling handle (2), move it forward as far as it will go
6. Rotate the seat support as far as it will go, this will enable access to the battery compartment



ATTENTION: you are advised to only lift and move the batteries with lifting and transportation means suitable for the specific weight and size

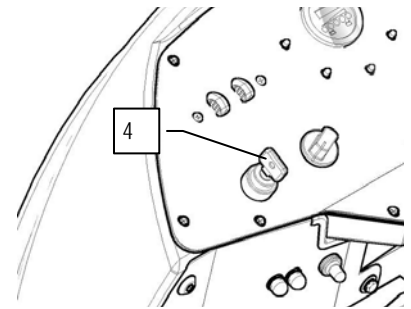
7. Place the batteries near the machine using transport and handling equipment suitable for the weight and size of the batteries
8. Connect the batteries in series to the "+" and "-" poles using the supplied jumper cable
9. Connect the battery connector cable to the "+" and "-" poles in order to obtain a voltage of 36V at the connection terminals
10. Connect the battery connector cable to the machine connector (3)



ATTENTION: An external feeder can also be used

PREPARATION OF MACHINE

11. Turn the key of the main switch a quarter of a turn clockwise (to position 1).

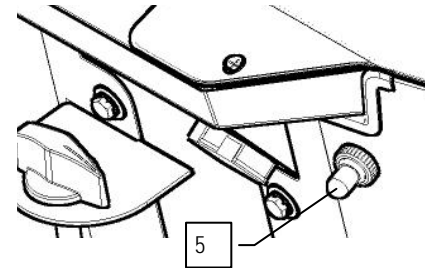


12. The recovery tank will begin to rotate when the switch (5) is moved downwards, open it to its maximum rotation.

13. Disconnect the battery connector cable from the machine connector (3).

14. Disconnect the jumper cables located on the batteries

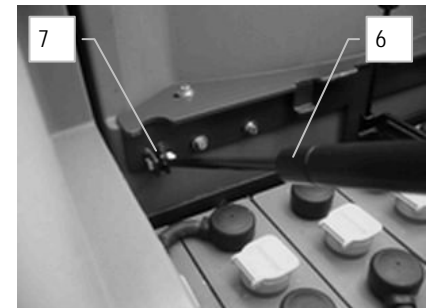
15. Disconnect the battery connector cable from the "+" and "-" poles



16. Using suitable equipment disconnect the gas springs (6) from their support (7)

17. Place the batteries inside the battery compartment using transport and handling equipment suitable for the weight and size of the batteries

18. Place the batteries in the battery compartment with the "+" and "-" poles opposite each other



12. CONNECTING THE BATTERIES AND BATTERY CONNECTOR

1. Connect the batteries in series to the "+" and "-" poles using the supplied jumper cable

2. Connect the battery connector cable to the "+" and "-" poles in order to obtain a voltage of 36V at the connection terminals

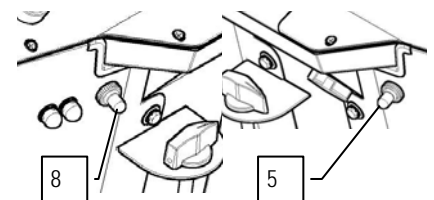
3. Connect the battery connector cable to the machine connector

4. Using suitable equipment attach the gas springs (6) to their support (7)

5. Turn the key of the main switch a quarter of a turn clockwise (to position 1)

6. When the dead man's control (8) is operated, and the switch (5) is pushed downwards, the recovery tank will begin to close.

7. Rotate the seat support until it is in the working position



ATTENTION: All installation and maintenance operations must be carried out by expert personnel, trained at the specialised assistance centre

13. CONNECTING THE BATTERY CHARGER

In order not to cause permanent damage to the batteries, it is essential to avoid their complete discharge: arrange the recharge within a few minutes of the switching on of the "discharged batteries" blinking light.



ATTENTION: Never leave the batteries completely discharged, even if the machine is not being used. Check the battery charger is suitable for the batteries installed, in terms of both capacity and type.

PREPARATION OF MACHINE

To connect the battery charger you must:

1. Move the machine near to the battery charger
2. Make sure that the key switch in the "0" position
3. Engage the parking brake
4. Grip the seat rotation uncoupling handle (1), move it forward as far as it will go
5. Rotate the seat support as far as it will go

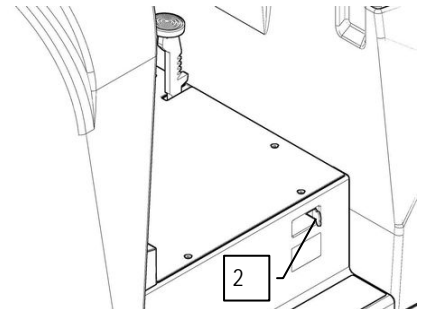


The coupling connector of the battery charger is supplied inside the bag containing this instruction booklet, and must be fitted to the battery charger cables as shown in the instructions.



ATTENTION: This process must be carried out by qualified personnel. An incorrect connection of the connector may cause problems with machine functioning.

6. Open the hatch (2) and connect the recently wired cable to the external battery charger
7. When the recharge cycle is complete, disconnect the battery charger cable from the machine



ATTENTION: Carefully read the use and maintenance instructions of the battery charger that is used for charging.

ATTENTION: Keep the seat support lifted for the duration of the battery recharging cycle to allow gas fumes to escape



ATTENTION: Danger of gas exhalation and leakage of corrosive liquids.



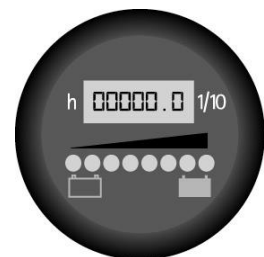
ATTENTION: Danger of fire: keep naked flames at a safe distance

14. BATTERY CHARGE LEVEL INDICATOR (BATTERY VERSION)

The battery indicator uses LEDs and has 8 positions (7 yellow - charged batteries, and 1 red - run down batteries).

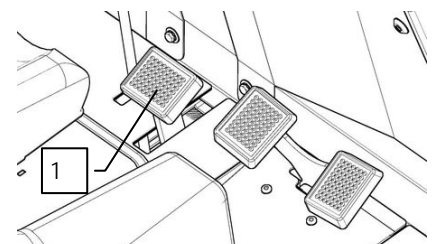


ATTENTION: A few seconds after the red indicator light comes on, the brush motor switches off automatically. With the remaining charge it is still possible, however, to complete the drying process before recharging



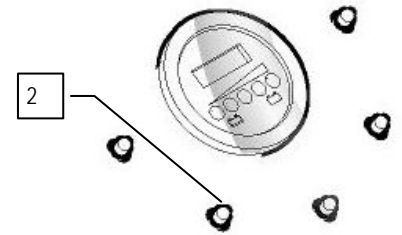
15. SERVICE BRAKE - PARKING BRAKE

The machine has an electronic braking system. To brake in normal conditions, just remove your foot from the accelerator pedal. If this service brake is working badly, or if necessary, activate the brake pedal (1) pushing it downwards.

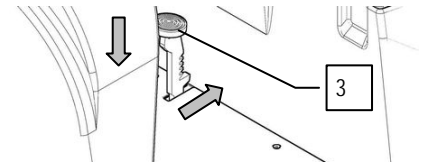


PREPARATION OF MACHINE

If there is no oil in the braking system, the red warning light (2) on the instrument panel will come on; contact a technician to have the brake oil level checked.

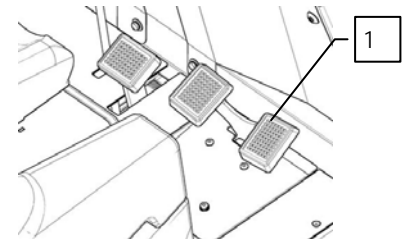


Press downwards on the pedal (3) and pull it towards the rear of the machine to engage the parking brake.

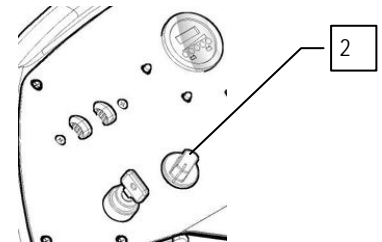


16. WORKING FORWARD SPEED

This machine is equipped with electronic traction control. To move the machine, turn the key to "ON - I" then press the forward drive pedal (1), adjusting the speed by altering the degree of pressure on the pedal.

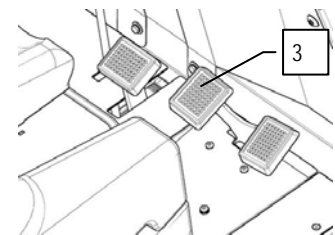


The machine has three preset speed levels, to select them simply operate the switch (2) on the instrument panel; the forward speed during operation depends on the amount of dirt to be removed and the type of floor to be cleaned.



- Step01: the maximum speed is 3 km/h
- Step02: the maximum speed is 4.7 km/h
- Step03: the maximum speed is 6.7 km/h

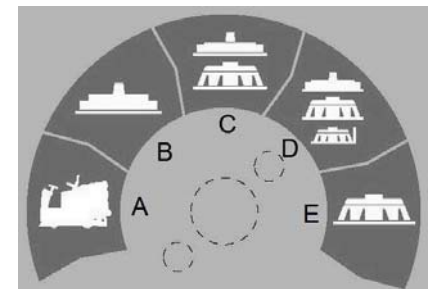
To move the machine in reverse, simply depress the pedal (3); the machine speed is controlled by varying the pressure on the pedal.



WARNING! the reverse speed is lower than the forward speed to comply with current health and safety standards.

17. MOVEMENT OF THE BRUSH HEAD UNIT

The brush head body on this machine can be moved to the right of the machine. To do so, turn the i-drive selector to the "D" position. Turn the i-drive selector to the "C" position to get it to return to its position.



PREPARATION OF MACHINE

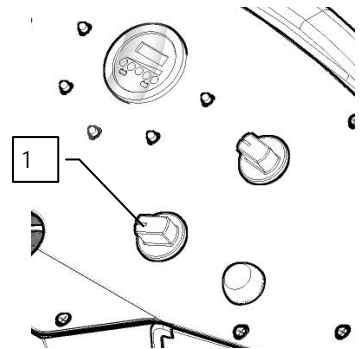
18. INCREASING THE PRESSURE ON THE BRUSH HEAD UNIT

This machine can increase the pressure on the brushes via the joystick (1) located on the instrument panel; it has three different settings:

- Step01: the weight exerted on the floor is 110 kg.
- Step02: the weight exerted on the floor is 130 kg.
- Step03: the weight exerted on the floor is 150 kg.



WARNING! The pressure must be chosen according to the type of floor and the amount of dirt. Increasing the pressure results in greater wear and tear on the brushes and higher power consumption (for further information, read "CHOOSING AND USING THE BRUSHES")

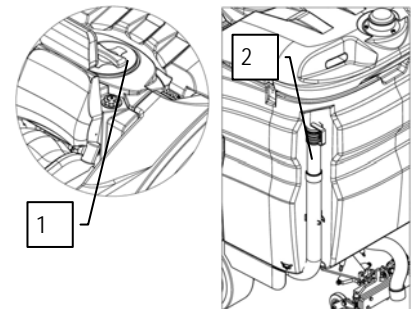


19. SOLUTION TANK

Remove the filler plug (1) at the back of the seat and check that the solution filter is installed properly. Check that the drainage hose cap (2) located at the rear of the machine is properly closed.



ATTENTION: The recovery tank must be completely empty each time the solution tank is filled.

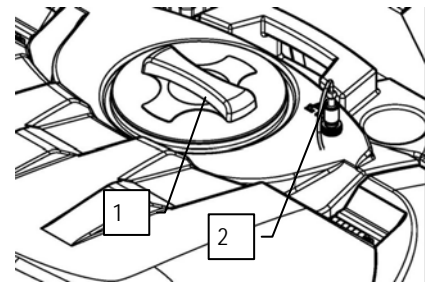


20. FILLING THE DETERGENT SOLUTION TANK

Proceed as follows to fill the solution tank:

1. Turn the main switch key anticlockwise to the "0" position
2. Engage the parking brake
3. Remove the filler cap (1) and check that the solution filter is fitted correctly
4. Fill it with clean water at a temperature not exceeding 50°C.

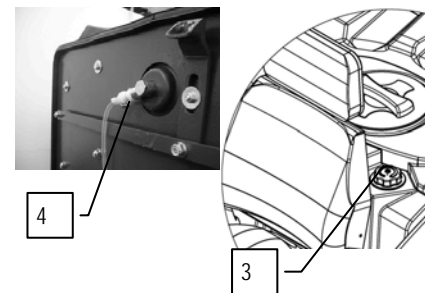
It is possible to fill the tank without having to constantly watch the water level, using the optional rapid filling system (2); this system is fitted with a float to control overflow. The water pipe (previously modified) is inserted into the quick release coupling; remember to unscrew the cap (1) to allow proper air venting.



5. Check that the quick coupling (4) under the detergent tank is properly inserted.
6. Unscrew the cap (3) of the canister located at the rear of the seat and fill with liquid detergent as indicated on the label supplied with the machine. Check the screw cap is well closed, to avoid any liquid leaking out while the machine is being used.



ATTENTION: The FSS automatic dosing system is designed to work with any liquid detergent. For this reason, the percentage of detergent in the solution is subject to a maximum error of 5% compared with the nominal value selected.



ATTENTION: The dosing system is suitable for frequent maintenance cleaning. Acid or alkaline maintenance detergent can be used with pH values between 4 and 10 and that do not contain: oxidising agents, chlorine or bromine, formaldehyde, mineral solvents.

The detergents used must be suitable for use with scrubbing machines. Wash the circuit with water after use if the system is not used daily. The system can be excluded. In case of sporadic use of detergents with pH between 1-3 or 11-14, use the floor scrubbing machine in the traditional way by adding the detergent in the clean water tank and excluding the dosing circuit.



pH
min 4
max 10

Detergente standard Standard detergent	Detergente concentrato Concentrated detergent
0,5%	0,1%
1%	0,2%
1,5%	0,3%
2%	0,4%
2,5%	0,5%
3%	0,6%
3,5%	0,7%

MODALITÀ D'USO:
Inserire la siringa erogatore direttamente nel serbatoio della lavatrice da 5 litri in dotazione, premendo il pulsante sul pannello, in modo che il liquido detergente penetri nella camera erogatrice.
ISTRUZIONI:
Inserire il can in place directly the appropriate dose of detergent.
Select the dilution to use and among the values indicated in the table.

MODALITÀ D'USO:
Inserire 1 litro di detergente concentrato e riempire completamente di acqua la camera da 5 litri in dotazione, premendo il pulsante sul pannello, in modo che il liquido detergente penetri nella camera erogatrice.
ISTRUZIONI:
Pour 1 litre concentré détergent and fill completely the recipient's 5 lit can with water.
Select with the knob on the instrument panel the dilution to use and among the values indicated in the table.

PREPARATION OF MACHINE



ATTENTION: Always use detergents suitable for scrubbing machines (as indicated on their label). Do not use acid or alkaline products or solvents without this indication.

In addition, you are advised to always use low foam detergents.

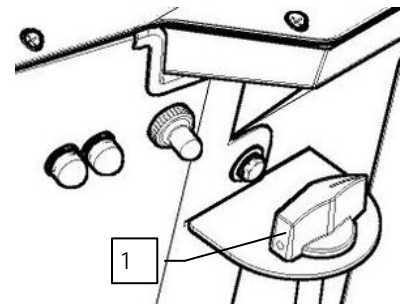
Do not use pure acids or detergents with a stronger gradation than that indicated on the label supplied.



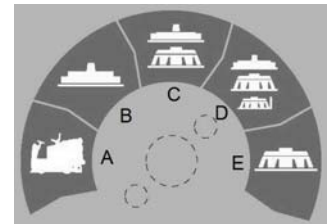
ATTENTION: protective gloves should always be worn before handling detergents or acidic or alkaline solutions, to avoid serious injury to the hands.

21. REGULATING THE DETERGENT

First, fully open the tap in the rear part of the machine by turning the knob (1) anticlockwise. Choose the required working programme using the I-Drive device (between programs "C-D-E"); press the accelerator pedal to operate the brushes, the machine starts to move and the detergent solution starts to come out. During the first few metres make the following adjustments:

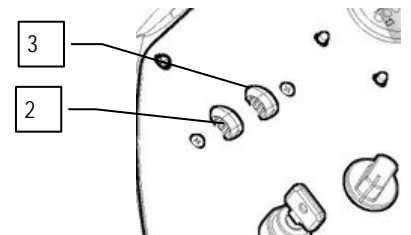


1. Regulate the flow of detergent solution to the brushes by rotating the upper knob (2) clockwise. The quantity of solution varies from a minimum of 110 litres/hour to a maximum of 460 litres/hour, with 7 dosing points. The right solution flow should be proportional to the degree of dirt on the floor. In addition, remember that the time available for continuous working depends on the quantity of water in the tank. For example, the work autonomy with a full tank (about 275 litres) and the detergent flow set to 290 litres/hour is approx 57 minutes.



2. Regulate the percentage of liquid detergent in the solution by rotating the lower knob (3) clockwise. The percentage of detergent in the solution varies from a minimum of 0.5 % to a maximum of 3.5 % with 7 set dosing points. The lowest value 0.5% is suitable for standard detergents, while the 1% value is suitable for concentrated and diluted detergent (as shown on the label provided on the machine). Use high detergent percentages to remove very greasy dirt from the floor.

To avoid any tampering with the set regulation, you can remove the two switches and cover the two holes with the plastic caps supplied with the machine.



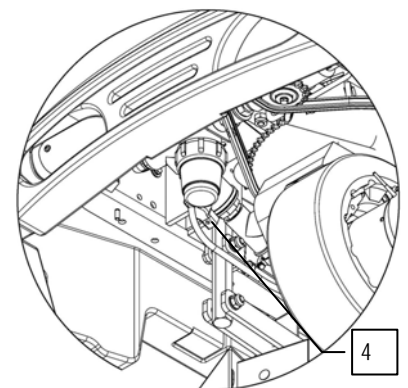
ATTENTION: Verify that the tap lever (1) is fully open; the lever is located at the rear of the steering column.



ATTENTION: In the event that the automatic detergent dosing system is out of order, or if you choose not to use this device, the tap (4) may be used. Also turn the knobs (2) and (3) anticlockwise, to the "OFF" position.



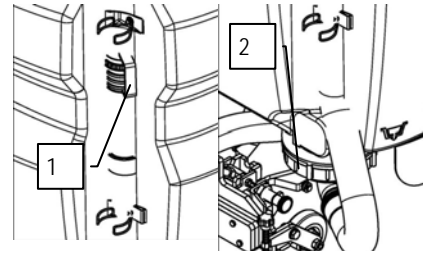
ATTENTION: Before regulating the solution, check there is detergent in the relevant canister, and that the water tap is turned on.



PREPARATION OF MACHINE

22. RECOVERY TANK

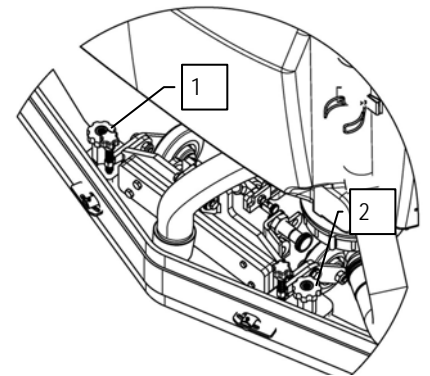
Make sure the recovery tank is empty, otherwise empty it completely.
Check the cap of the drainage hose (1) (on the rear of the machine) is correctly closed.
Check that the drain pipe cap (2) at the rear of the machine is correctly closed.



23. ASSEMBLING THE SQUEEGEE

The squeegee, that for reasons of packaging comes disassembled from the machine, must be assembled while assembling the machine. Proceed as follows for assembly:

1. Check that the squeegee support is raised
2. Turn the main switch key anticlockwise to the "0" position
3. Engage the parking brake
4. Remove the key from the instrument panel
5. Loosen the studs (1) and (2) in the squeegee pre-assembly
6. First insert the left-hand pin of the squeegee into the left-hand slot of the squeegee connection and screw the stud (1) on to the pin, making sure that it fits tightly into its seat on the squeegee support
7. Insert the right-hand pin of the squeegee into the right-hand slot of the squeegee connection and screw the stud (2) on to the pin, making sure that it fits tightly into its seat on the squeegee support
8. Insert the vacuum hose into the squeegee sleeve

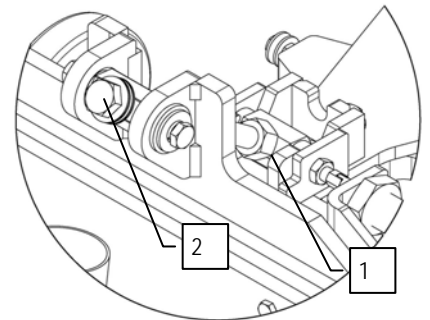


ATTENTION: these operations must be carried out using protective gloves to avoid any possible contact with the edges or tips of metal objects.

24. ADJUSTING THE SQUEEGEE INCLINATION

During working operation, the rear rubber blade is slightly tilted backwards (by about 5mm) in a uniform way for its whole length. If you need to increase the bend of the rubber in the central part, you must tilt the squeegee unit. To do this, proceed as follows:

1. Loosen the locknut (1)
2. Turn the screw (2) anticlockwise to increase the bend of the rubber in the central part of the squeegee. To increase the bend of the rubber at the sides of the squeegee, turn the screw (2) clockwise.
3. When fully adjusted, fix the locknut (1)



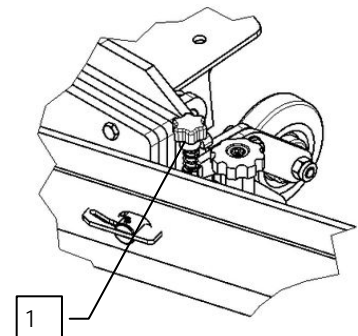
25. ADJUSTING THE SQUEEGEE HEIGHT

The height of the squeegee must be adjusted on the basis of the state of wear and tear of the rubber blades. To do this, turn the knob (1) anticlockwise to raise the squeegee, and clockwise to lower it.

Remarks: the right and left wheels must be adjusted to the same level, so the squeegee can work parallel to the floor.



ATTENTION: these operations must be carried out using protective gloves to avoid any possible contact with the edges or tips of metal objects.



PREPARATION OF MACHINE

26. ASSEMBLING THE BRUSHES

To assemble the brushes of the brush head unit, proceed as follows:

1. Check that the brush head body is lifted off the ground
2. Turn the main switch key anticlockwise to the "0" position
3. Engage the parking brake located on the left side of the machine
4. Remove the key from the instrument panel



ATTENTION: During this operation, check there are no people or objects near the brush.

5. Turn the knobs (1) in an anti-clockwise direction
6. Use the handle (2) to remove the right splash guard cover
7. With the brush head up, insert the brushes in the plate housing beneath the brush head, turning them until the three pins enter the niches in the plate itself; Turn until the pin is pushed towards the coupling spring and is locked into place. The photo shows the rotation direction to hook up the right-hand brush; for the left-hand one, rotate in the opposite direction.



ATTENTION: During this operation, check there are no people or objects near the brush.

ATTENTION: Make sure the brushes are correctly connected. If this is not the case, the machine could move in an irregular, sudden manner.

you are advised to invert the right and left-hand brushes every day. If the brushes are not new however, and have deformed bristles, it is better to reassemble them in the same position (the right-hand one on the right, and the left-hand one on the left), to prevent the different inclination of the bristles producing an overload on the brush motor as well as excessive vibrations.



ATTENTION: users are advised to always wear protective gloves, to avoid the risk of serious injury to hands.

27. SAFETY BELT INSERTION

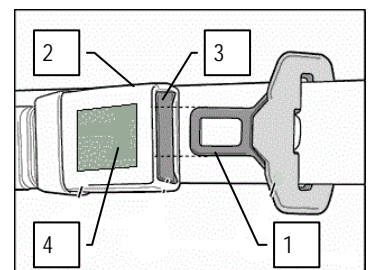
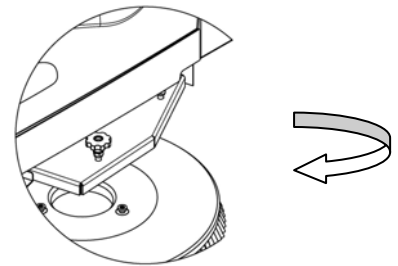
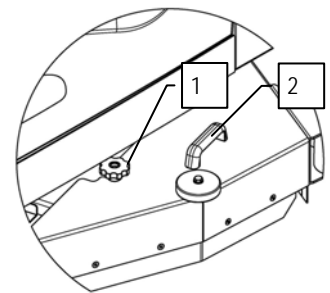
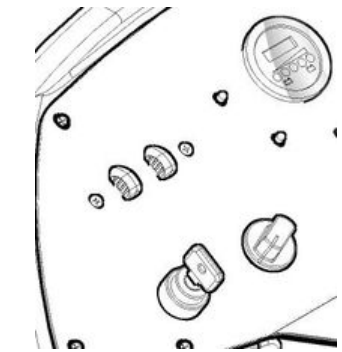
The machine is equipped with a lap belt safety device which allows the operator to be anchored to the driving seat.

To fasten the safety belt proceed as follows:

1. position yourself on the driving seat
2. take hold of the mobile part (1) of the safety belt
3. wrap it around the abdominal area
4. insert the mobile part (1) into the slot on the fixed part (2)

5. release the belt to allow the seatbelt tensioner to roll the belt back up

To uncouple the safety belt press the button (3) and remove the mobile part (1) or push the rapid uncoupling button (4)

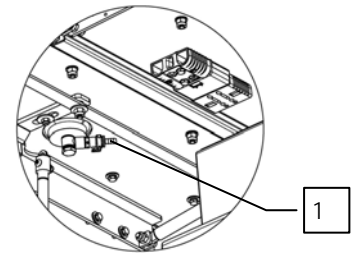


PREPARATION OF MACHINE

28. PRIMING THE DETERGENT PUMP

The detergent pump must be primed before starting work; proceed as follows to do so:

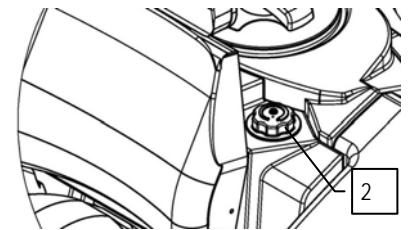
1. Check that the main switch is in the "Off - 0" position
2. Check that the battery connector is disconnected from the machine connector
3. Check the parking brake is correctly engaged
4. Make sure the recovery tank is empty, otherwise empty it completely
5. Check that the quick release coupling (1) under the detergent tank is properly fitted



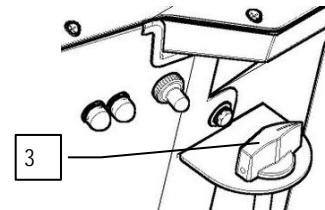
6. Unscrew the cap of the detergent canister (2) and fill it with the desired product



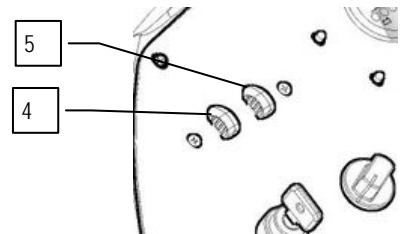
ATTENTION: always use low-foam detergent. To avoid the production of foam, put a minimum quantity of antifoam liquid in the recovery tank before starting to clean. Do not use pure acids.



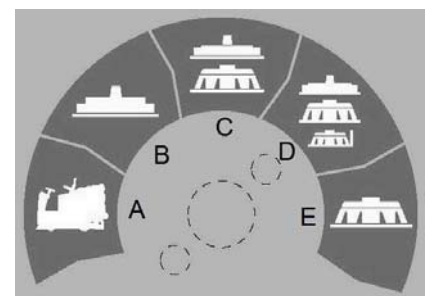
7. Refit the cap of the detergent tank
8. Check there is clean water in the solution tank
9. Check the water tap (3) is fully turned on
10. Check that the by-pass tap is in the "dosing system" position
11. Insert the battery connector into the machine connector.
12. Disengage the parking brake
13. Place the main switch in position "ON - I"



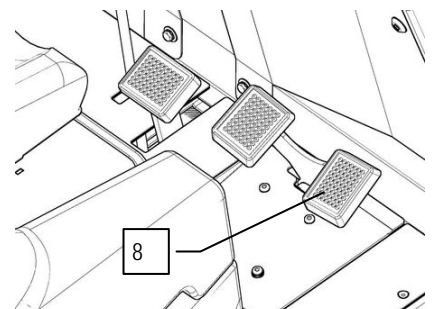
14. Turn the water flow rate adjustment knob (4) to the maximum position
15. Turn the detergent percentage adjustment knob (5) to the maximum position



16. Make sure that the working program is set to "Work" (position C).



17. Press the accelerator pedal (8) gently to activate the brush head and the dosing system
18. Wait a few moments, keeping the accelerator pedal gently depressed (normally 20 to 40 seconds) to allow engagement of the system
19. Proceed with the desired adjustment for normal scrubbing

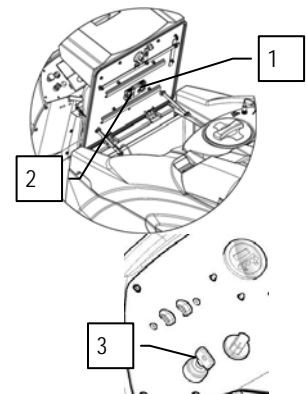


WORK

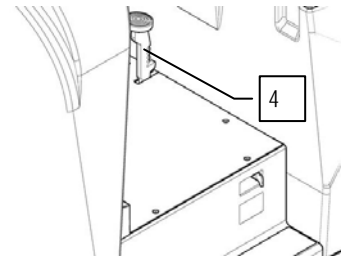
29. WORK

Before beginning to work, it is necessary to:

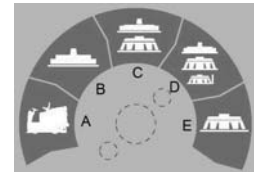
1. make sure the recovery tank is empty, otherwise empty it completely
2. Check that the main switch (3) of the machine is set to "0"
3. Connect the battery connector (1) to the electric system connector (2)
4. sit on the driver's seat



5. Check the parking brake is released (4).
6. Turn the key of the main switch a quarter of a turn clockwise (to position 1). Immediately, on the instrument panel, the display will turn on indicating the charge level of the batteries
7. Choose the desired working program with the I-Drive device:
 - A. Transfer: movement of the machine without working
 - B. Drying: use the squeegee only
 - C. Scrubbing / Drying: use both the brushes and the squeegee
 - D. Washing with external brush head / Drying: use both the brushes and the squeegee
 - E. Scrubbing only: use brushes only



WARNING! If programs "C - D - E" are selected, the brush head lowers automatically even if the forward movement pedal has not been pushed.



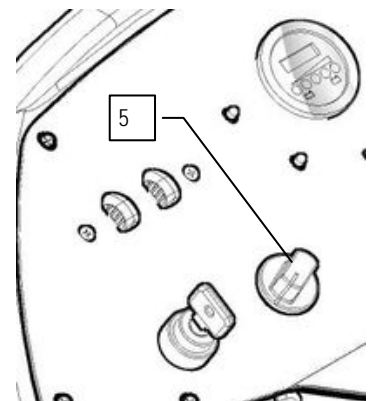
8. Choose the forward operating speed by operating the knob (6) on the instrument panel

This machine can operate at three different speeds: via the knob (5) located on the instrument panel you have three different settings:

- Step01: the maximum speed is 3 km/h
- Step02: the maximum speed is 4.7 km/h
- Step03: the maximum speed is 6.7 km/h



WARNING! The reverse speed is lower than the forward speed to comply with current health and safety standards.



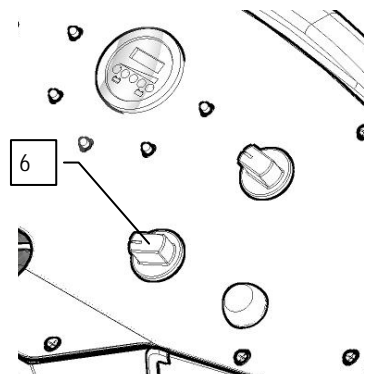
9. Choose the pressure exerted on the brushes by operating the knob (6) on the instrument panel

This machine is capable of increasing the pressure on the brushes using the adjustment bar (6), four separate settings are available:

- Step01: the weight exerted on the floor is 110 kg.
- Step02: the weight exerted on the floor is 130 kg.
- Step03: the weight exerted on the floor is 150 kg.

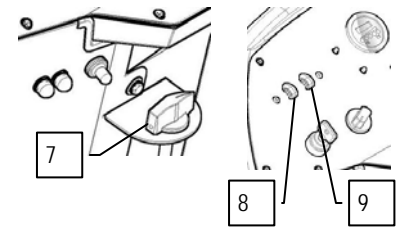


WARNING! The pressure must be chosen according to the type of floor and the amount of dirt. Increasing the pressure results in greater wear and tear on the brushes and higher power consumption (for further information, read "CHOOSING AND USING THE BRUSHES")



WORK

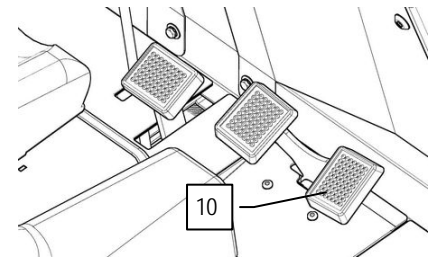
10. Rotate the tap lever (7) in an anticlockwise direction, allowing for full passage of water. This lever should not be used to make adjustments. To obtain the correct dose to the brushes, use the knobs only to adjust the amount of water solution (8) and detergent (9). See paragraph "REGULATING THE DETERGENT WITH THE FSS SYSTEM".
11. When the forward movement pedal (10) is pressed, the machine begins to move, the squeegee lowers automatically and the suction motors will begin to work. Simultaneously, the brushes will begin to rotate and the solenoid valve will begin to function.



During the first few metres, check that there is sufficient solution and that the squeegee is drying correctly. The machine will start working in good working order up to run out of detergent solution or until the battery is discharged.

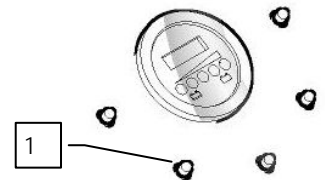
If the drive pedal is released, the flow of detergent will stop, the brush head and squeegee will lift off the ground and the suction motors will continue to function for a period of time equal to 25". If the drive pedal is pressed again immediately afterwards, all parameters of the program which was in use prior to the stoppage of the machine are reactivated.

The machine is equipped with two front headlights to allow the operator to work in poorly lit environments. The headlights switch on as soon as the main switch of the machine is in position "1".



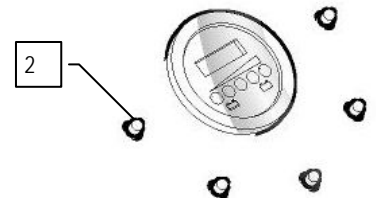
30. BRAKING SYSTEM OIL LEVEL

If the red indicator light (1) comes on while the machine is in use, it means that the level of oil in the machine's braking system has reached a critical stage which may impact upon its correct functioning. Contact a specialised technician immediately.



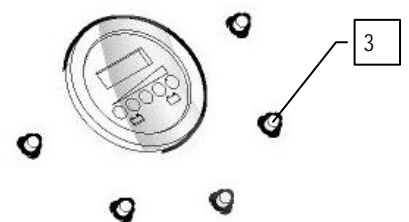
31. CHOPPER CIRCUIT BOARD FAULT

If the red indicator light (2) comes on while the machine is in use, it means that a fault has occurred in the machine's traction control circuit board. Stop the machine immediately and contact a specialised technician.



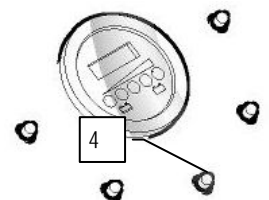
32. SOLUTION TANK EMPTY

If the red indicator light (3) comes on while the machine is in use, it means that the level of solution in the solution tank is too low for the machine to function properly. In this case, raise the squeegee unit and take the machine to the area used for emptying the recovery tank. Then empty the recovery tank using the special drainage hose. Refill the solution tank using the refill opening or the optional rapid refill kit.



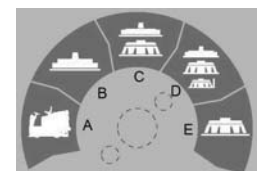
33. BRUSH HEAD MOTOR UNDER PRESSURE

If the red indicator light (4) comes on while the machine is in use, it means that brush motor overload limit level has been exceeded. The motor will come to a stop after a few seconds. To restart the motor, turn the main switch key off and on again. If the engine stops again, check the reason of the overload in order to prevent damage to the motor. Check to see if the problem persists when the pressure exerted on the brushes is reduced. If it persists, contact a specialised technician.



34. MOVEMENT OF THE BRUSH HEAD UNIT

The brush head body on this machine can be moved to the right of the machine. To do so, turn the i-drive selector to the "D" position. Turn the i-drive selector to the "C" position to get it to return to its position.

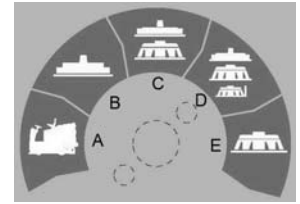
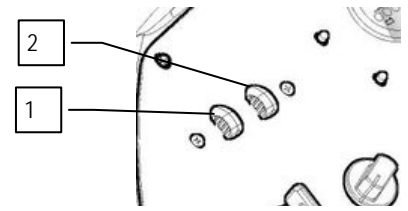


AT THE END OF THE WORK

35. AT THE END OF THE WORK

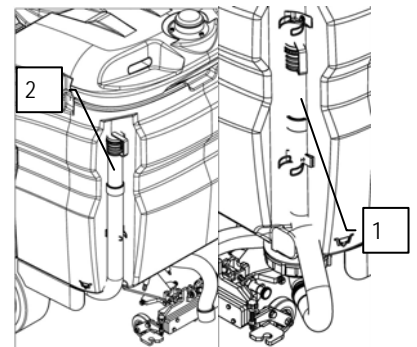
At the end of the work, and before carrying out any type of maintenance, perform the following operations:

1. Turn the water flow rate adjustment knob (1) to the zero position
2. Turn the detergent percentage adjustment knob (2) to the zero position
3. Turn the I-DRIVE selector to the "Transfer" position. Both the brush head and the squeegee rise and after a few seconds the suction motor will turn off.
4. Bring the machine to the place provided for draining the water
5. Turn the machine off by turning the key a quarter turn anticlockwise (to the "0" position) and remove it from the instrument panel
6. Engage the parking brake.
7. Raise the seat support plate and disconnect the electrical system connector from the battery connector



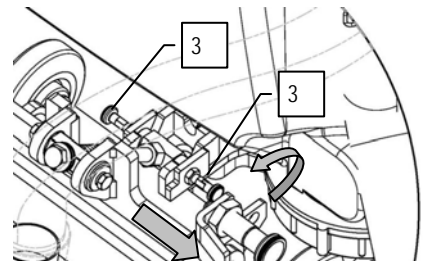
ATTENTION: Before performing any maintenance, remove the keys from the panel and disconnect the battery connector

8. Disconnect the recovery tank drain hose (1) from its housing, unscrew the drain cap and empty the recovery tank
9. Disconnect the solution tank drain hose (2) from its housing, unscrew the drain cap and empty the solution tank
10. Detach the vacuum hose from the nozzle on the squeegee body

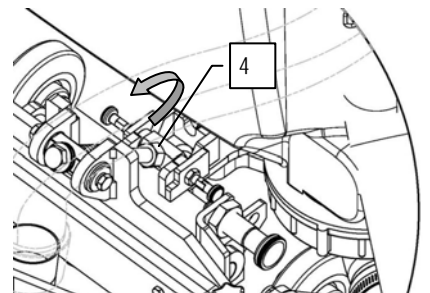


ATTENTION: This operation must be carried out wearing gloves to protect against contact with dangerous solutions.

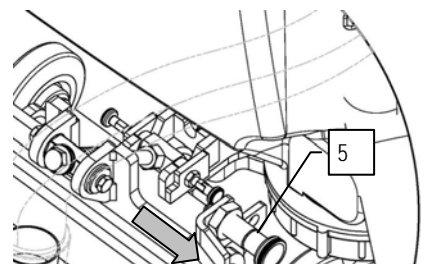
11. Remove the pins (3) for the squeegee rotation retainer. To remove it pull the knob towards the outside of the machine and turn it in anticlockwise direction
12. Remove the squeegee rotation retainer (4), lift it to remove it
13. Rotate the squeegee body in a clockwise direction and lock it in position using the pin (5)
14. Clean the squeegee unit and the rubber blades thoroughly with a jet of water



15. After cleaning the squeegee and rubbers, replace the squeegee by turning it anticlockwise, returning it to its original position, making sure that the squeegee rotation retainer (4) is returned to its normal position
16. Connect the electrical system connector to the battery connector, lower the seat support to the work position
17. Turn the machine on by turning the key a quarter turn clockwise (to the "1" position) and remove it from the instrument panel.
18. Disengage the parking brake.
19. Park the machine in a closed place, in an area where it cannot cause damage to people or other property, but also be protected from an accidental fall of objects.



20. Engage the parking brake.
21. Turn the key switch a quarter turn anticlockwise (position "0") and remove the key
22. Raise the seat support and disconnect the electrical system connector from the battery connector



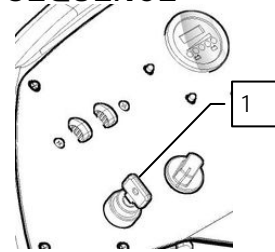
ATTENTION: do not leave the machine unattended without first removing the start-up switch key and applying the parking brake. In addition, do not park the machine in open places or on sloping floors.

DAILY MAINTENANCE

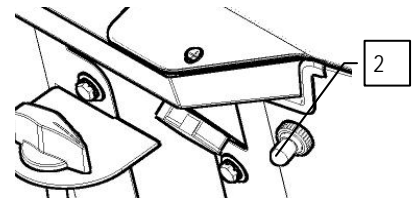
PERFORM ALL MAINTENANCE OPERATIONS IN SEQUENCE

36. CLEANING THE VACUUM MOTOR FILTER

1. Check the recovery tank is empty (if necessary, empty it).
2. Check that the parking brake is engaged, and if not, engage it
3. Turn the main switch key (1) clockwise by a quarter of a turn (to position 1). The green indicator light on the control panel indicating consent to the rotation of the vacuum cap is switched on.
4. When the switch (2) is moved upwards the vacuum cap will begin to open. Bring it as far as it will go.



5. Turn the key switch a quarter turn anticlockwise (position "0") and remove the key
6. Disconnect the battery connector cable from the machine connector
7. Remove the vacuum filter protection (3) by rotating it clockwise
8. Remove the retaining clips (4)
9. Remove the vacuum filter (5) from its seat
10. Use a jet of water to clean the walls and base of the filter



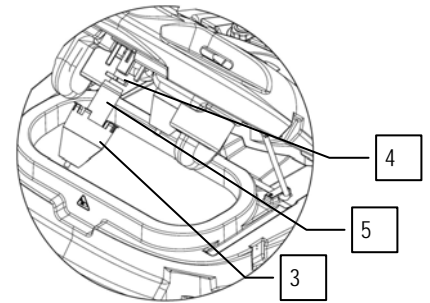
11. Perform steps 8 to 11 for the second filter of the second suction motor
12. Reassemble all the elements



ATTENTION: These operations must be carried out using gloves to protect against contact with dangerous solutions.

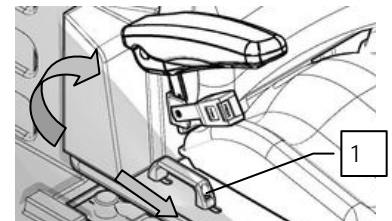


ATTENTION: Before carrying out any type of maintenance, remove the keys from the panel and disconnect the battery connector (for battery versions) or from the generator connector (for versions with an endothermic engine).

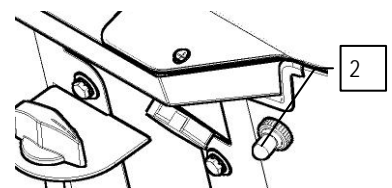


37. CLEANING THE RECOVERY TANK

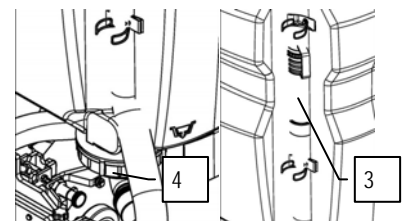
1. Disconnect the battery connector cable from the machine connector
2. Insert the key into the main switch and turn it a quarter of a turn clockwise (to position "1")
3. Grip the seat rotation uncoupling handle (1), move it forward as far as it will go
4. Rotate the seat support as far as it will go



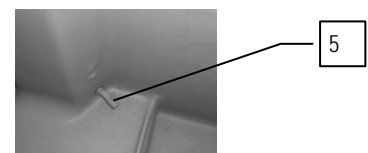
5. When the switch (2) is moved upwards the vacuum cap will begin to open. Bring it as far as it will go.
6. The recovery tank will begin to rotate when the switch (2) is moved downwards, bring it to its maximum rotation.
7. Turn the key switch a quarter turn anticlockwise (position "0") and remove the key. Disconnect the battery connector cable from the machine connector.



8. Check that the recovery tank drain pipe (3) is securely fastened to the machine, also check that the cap is closed
9. Unscrew the recovery tank drain hose cap (4) at the rear of the machine
10. Clean and rinse the recovery tank
11. Clean out and rinse the part of the recovery tank closest to the float switch (5) relating to the "RECOVERY TANK EMPTY" level.
12. Reassemble all the elements



ATTENTION: These operations must be carried out using gloves to protect against contact with dangerous solutions.

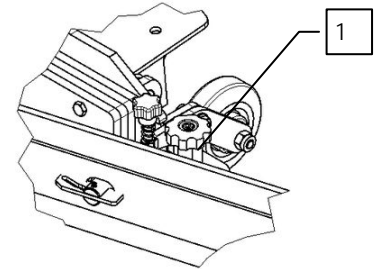


DAILY MAINTENANCE

38. CLEANING THE SQUEEGEE

The careful cleaning of the whole vacuum unit ensures better drying and cleaning of the floor as well as a longer suction motor life. Proceed as follows for cleaning:

1. Check that the parking brake is engaged, and if not, engage it
 2. Check that the electrical system connector is disconnected from the battery connector, and if not, disconnect it
 3. Check the main switch is on "0" (turn it to this position if necessary)
 4. Disconnect the squeegee by loosening the knobs (1)
5. Clean the squeegee unit and the rubber blades thoroughly with a jet of water, verify that there are no dirt residues in the vacuum chamber of the squeegee

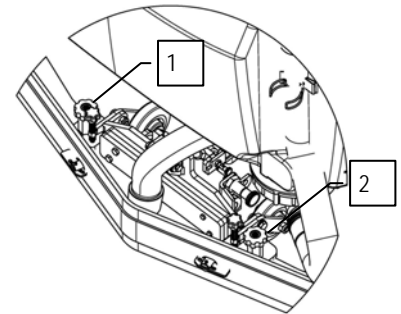


ATTENTION: This operation must be carried out wearing gloves to protect against contact with dangerous solutions.

If the front squeegee rubber is worn, vacuum will be poor and the machine will not dry the floor properly; in this case replace it (see section REPLACEMENT OF FRONT SQUEEGEE RUBBER). If the rear squeegee rubber is worn, vacuum will be poor and the machine will not dry the floor properly; in this case replace it (see section REPLACEMENT OF REAR SQUEEGEE RUBBER).

After cleaning, replace the squeegee on its support:

1. Insert the squeegee right-hand pin into the right-hand slot of the squeegee support, secure it by means of the handwheel (1).
2. Insert the squeegee left-hand pin into the left-hand slot of the squeegee support, secure it by means of the handwheel (2).
3. Finally insert the squeegee tube in the special sleeve.

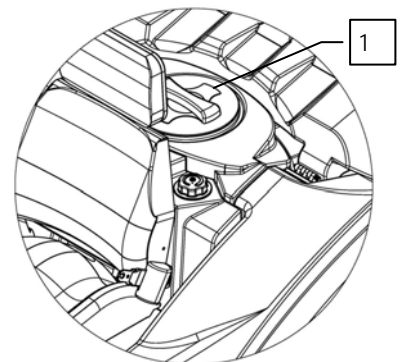


ATTENTION: These operations must be carried out using gloves to protect against contact with dangerous solutions.

39. CLEANING THE SOLUTION TANK FILTER

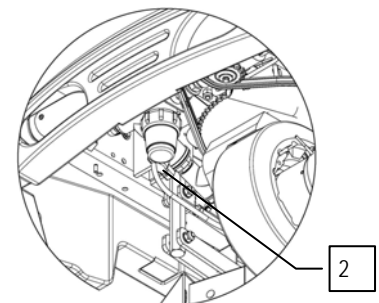
Careful cleaning of the detergent/water solution filter ensures a better working capacity. Proceed as follows for cleaning:

1. Check that the parking brake is engaged, and if not, engage it
2. Check that the electrical system connector is disconnected from the battery connector, and if not, disconnect it
3. Check the main switch is on "0" (turn it to this position if necessary)
4. Open the filler cap (1)



ATTENTION: Before performing any maintenance, remove the keys from the panel and disconnect the battery connector

5. Disconnect the clean water drain hose from its housing at the rear of the machine, unscrew the cap and empty the tank.
6. Close the water tap.
7. Loosen the filter cap (2) on the front of the machine.
8. Remove the internal filter cartridge and rinse everything thoroughly with running water.
9. Refit all the parts.



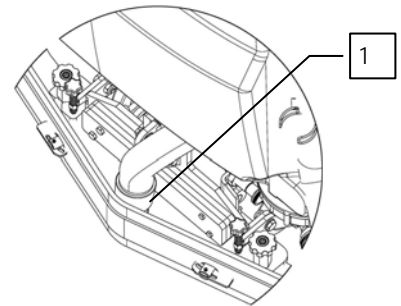
ATTENTION: These operations must be carried out using gloves to protect against contact with dangerous solutions.

WEEKLY MAINTENANCE

40. CLEANING THE VACUUM HOSE

Whenever vacuum seems to be unsatisfactory, check that the vacuum hose is not obstructed. If necessary clean with a jet of water as follows:

1. Make sure the recovery tank is empty, otherwise empty it completely.
2. Check that the parking brake is engaged, and if not, engage it
3. Disconnect the vacuum hose from the squeegee nozzle (1)

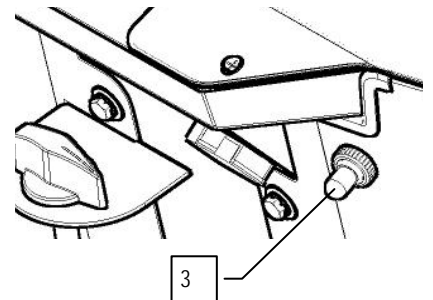


ATTENTION: This operation must be carried out using gloves to protect against contact with dangerous solutions.

4. Grip the seat rotation uncoupling handle (2), move it forward as far as it will go
5. Rotate the seat support as far as it will go

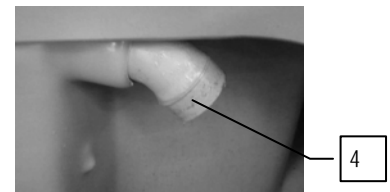


6. Turn the key of the main switch a quarter of a turn clockwise (to position 1).
7. When the switch (3) is moved upwards the vacuum cap will begin to open. Bring it as far as it will go.
8. The recovery tank will begin to rotate when the switch (3) is moved downwards, bring it to its maximum rotation.
9. Turn the key switch a quarter turn anticlockwise (position "0") and remove the key. Disconnect the battery connector cable from the machine connector.



ATTENTION: Before performing any maintenance, remove the keys from the panel and disconnect the battery connector

10. Clean it with a jet of running water inserted into the joint (4)
11. Reassemble all the elements



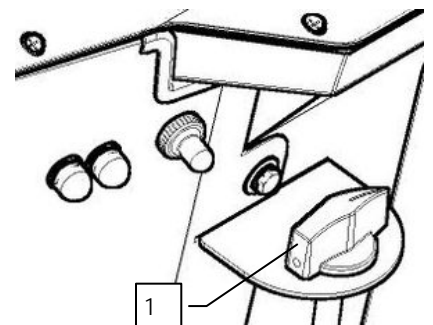
41. CLEANING THE SOLUTION TANK

Proceed as follows for cleaning:

1. Check that the parking brake is engaged, and if not, engage it
2. Check that the electrical system connector is disconnected from the battery connector, and if not, disconnect it
3. Check the main switch is on "0" (turn it to this position if necessary)
4. Ensure the solution tank is empty, otherwise empty it

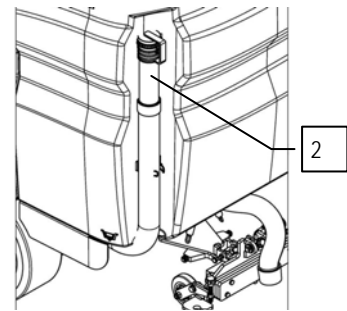


ATTENTION: Before performing any maintenance, remove the keys from the panel and disconnect the battery connector

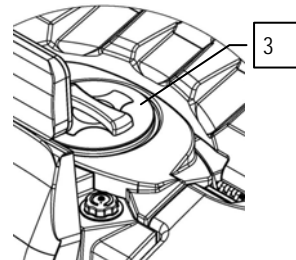


WEEKLY MAINTENANCE

5. Close the water tap (1)
6. Disconnect the solution tank drainage hose (2) located at the rear of the machine
7. Unscrew the solution tank drainage hose cap



1. Unscrew the solution tank filling plug (3), located behind the operator's seat
2. Rinse the inside of the tank with a jet of water
3. Reassemble all the elements

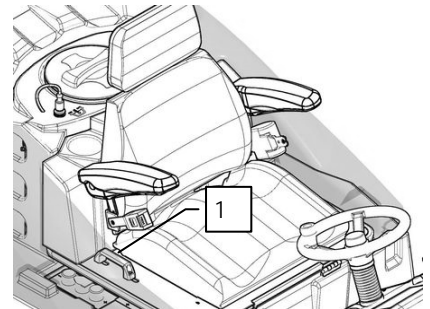


ATTENTION: These operations must be carried out using gloves to protect against contact with dangerous solutions.

42. DETERGENT TANK CLEANING

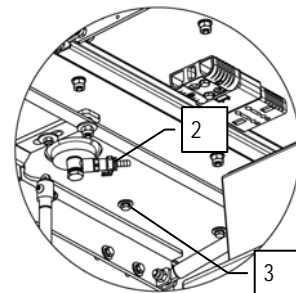
Proceed as follows for cleaning:

1. Check that the parking brake is engaged, and if not, engage it
2. Check that the electrical system connector is disconnected from the battery connector, and if not, disconnect it
3. Check the main switch is on "0" (turn it to this position if necessary)



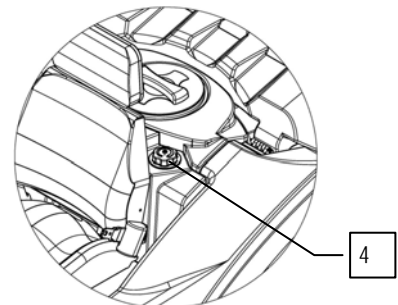
ATTENTION: Before performing any maintenance, remove the keys from the panel and disconnect the battery connector

4. Using the handle (1) lift the seat support
5. Disconnect the quick release coupling (2), located on the seat carter
6. Use suitable equipment to unscrew the screws (3) which fasten the detergent tank to the seat support
7. Remove the detergent tank from the seat support
8. Unscrew the floating cap (4) and empty the detergent tank into an empty canister



ATTENTION: The canister which is used to collect the detergent must be empty, or must contain detergent of the same type to avoid dangerous chemical reactions

9. Rinse the inside of the tank with a jet of water
10. Reassemble all the elements



ATTENTION: These operations must be carried out using gloves to protect against contact with dangerous solutions.

WEEKLY MAINTENANCE

43. BRUSH CLEANING

Proceed as follows for cleaning:

1. Check that the parking brake is engaged, and if not, engage it
2. Check that the electrical system connector is disconnected from the battery connector, and if not, disconnect it
3. Check the main switch is on "0" (turn it to this position if necessary)

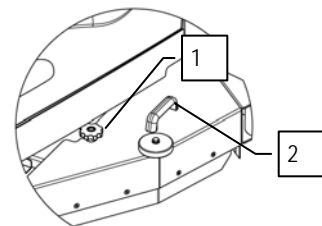


ATTENTION: Before performing any maintenance, remove the keys from the panel and disconnect the battery connector

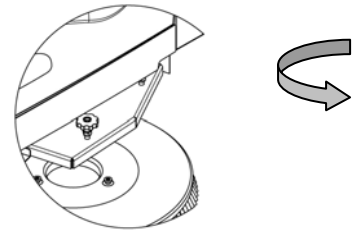
4. Turn the knobs (1) in an anti-clockwise direction
5. Use the handle (2) to remove the right splash guard cover



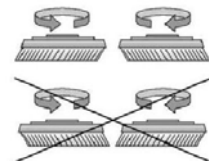
ATTENTION: This operation must be carried out using gloves to protect against contact with dangerous solutions.



6. Rotate the brush anticlockwise until it comes out of the brush-holder plate seat, as shown in the figure. The photo shows the rotation direction to hook up the right-hand brush; for the left-hand one, rotate in the opposite direction.



You are advised to invert the right and left-hand brushes every day. If the brushes are not new however, and have deformed bristles, it is better to reassemble them in the same position (the right-hand one on the right, and the left-hand one on the left), to prevent the different inclination of the bristles producing an overload on the brush motor as well as excessive vibrations.



EXTRAORDINARY MAINTENANCE

44. REPLACING THE FRONT SQUEEGEE RUBBER

Vacuum will be poor and the machine will not dry perfectly if the front squeegee rubber is worn. Proceed as follows to replace it:

1. Check that the parking brake is engaged, and if not, engage it
2. Check that the electrical system connector is disconnected from the battery connector, and if not, disconnect it
3. Check the main switch is on "0" (turn it to this position if necessary)

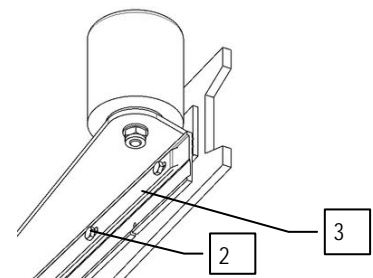
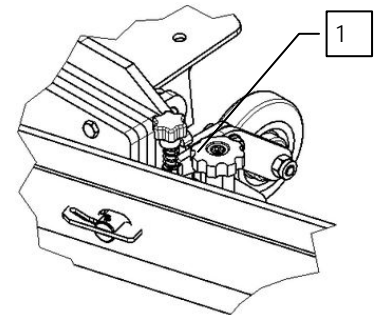


ATTENTION: Before performing any maintenance, remove the keys from the panel and disconnect the battery connector

4. Disconnect the squeegee by loosening the knobs (1)
5. Using suitable equipment, undo the rubber-pressing blade securing screws (2)
6. Remove the rubber-pressing blade (3), then the rubber, for replacement
7. To replace the rubber, proceed in reverse order



ATTENTION: These operations must be carried out using gloves to protect against contact with dangerous solutions.



45. REPLACING THE REAR SQUEEGEE RUBBER

If the squeegee rear rubber blade is worn and does not dry well, it is possible to change the drying edge using one of the 4 edges of the rubber.

This can be done with the squeegee removed, proceeding as follows:

1. Check that the parking brake is engaged, and if not, engage it
2. Check that the electrical system connector is disconnected from the battery connector, and if not, disconnect it
3. Check the main switch is on "0" (turn it to this position if necessary)

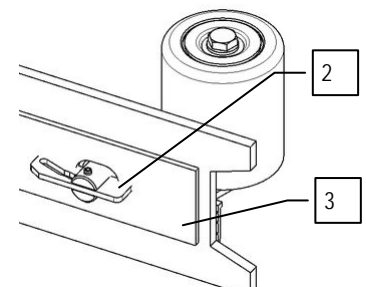
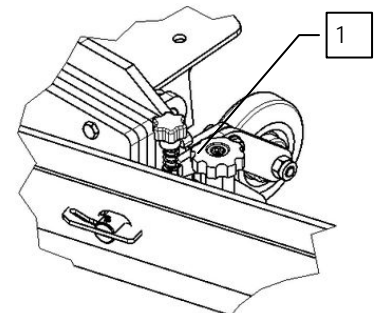


ATTENTION: Before performing any maintenance, remove the keys from the panel and disconnect the battery connector

4. Disconnect the squeegee by loosening the knobs (1)
5. Rotate the fixing plates (2)
6. Remove the rubber-pressing blade (3) and then the rubber, to turn it over or replace it
7. To replace the rubber, proceed in reverse order
8. Adjust the height of the squeegee depending on the rubber (see "ADJUSTING THE SQUEEGEE SUPPORT HEIGHT")



ATTENTION: These operations must be carried out using gloves to protect against contact with dangerous solutions.



46. REPLACING THE REAR SPLASH GUARD RUBBER ON THE SIDE COVER OF THE BRUSH HEAD

If the rubber on the rear splash guard of the brush head side cover is worn, its capacity to conduct water to the squeegee is compromised. The containment border can be replaced using one of the 4 edges of rubber. This operation can be done with the brush head carter removed, proceeding as follows:

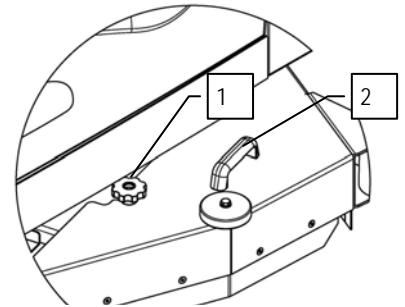
1. Check that the parking brake is engaged, and if not, engage it
2. Check that the electrical system connector is disconnected from the battery connector, and if not, disconnect it
3. Check the main switch is on "0" (turn it to this position if necessary)

EXTRAORDINARY MAINTENANCE

4. Turn the knobs (1) in an anti-clockwise direction
5. Use the handle (2) to remove the right splash guard cover



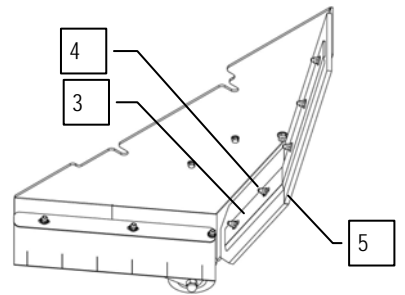
ATTENTION: This operation must be carried out using gloves to protect against contact with dangerous solutions.



6. Use suitable equipment to remove the rubber-pressing blade (3) from inside the side cover, and unscrew the screws (4) which fasten it to the splash guard support.
7. Remove the rubber (5) to replace it or rotate it
8. To replace the rubber, proceed in reverse order
9. Adjust the height of the splash guard rubber according to the rubber itself (refer to "ADJUSTING THE HEIGHT OF THE SIDE SPLASH GUARDS")



ATTENTION: The right side splash guard is depicted in the figures here, proceed in the same way when working on the left one



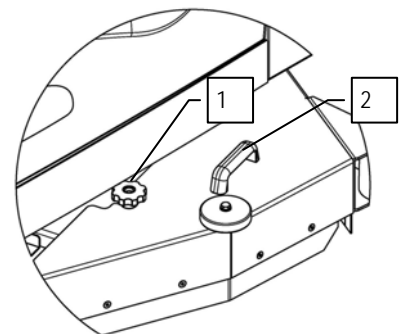
47. REPLACING THE FRONT SPLASH GUARD RUBBER ON THE SIDE COVER OF THE BRUSH HEAD

If the rubber on the front splash guard of the brush head side cover is worn, its capacity to conduct water to the squeegee is compromised. The containment border can be replaced using one of the 4 edges of rubber. This operation can be done with the brush head carter removed, proceeding as follows:

1. Check that the parking brake is engaged, and if not, engage it
2. Check that the electrical system connector is disconnected from the battery connector, and if not, disconnect it
3. Check the main switch is on "0" (turn it to this position if necessary)
4. Turn the knobs (1) in an anti-clockwise direction
5. Use the handle (2) to remove the right splash guard cover



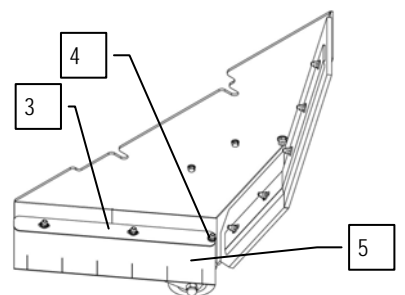
ATTENTION: This operation must be carried out using gloves to protect against contact with dangerous solutions.



6. Use suitable equipment to remove the rubber-pressing blade (3), and unscrew the screws (4) which fasten it to the splash guard support.
7. Remove the rubber (5) to replace it or rotate it
8. To replace the rubber, proceed in reverse order
9. Adjust the height of the splash guard rubber according to the rubber itself (refer to "ADJUSTING THE HEIGHT OF THE SIDE SPLASH GUARDS")



ATTENTION: The right side splash guard is depicted in the figures here, proceed in the same way when working on the left one



EXTRAORDINARY MAINTENANCE

48. ADJUSTING THE HEIGHT OF THE SIDE SPLASH GUARDS

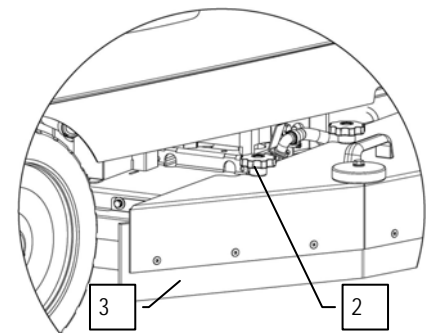
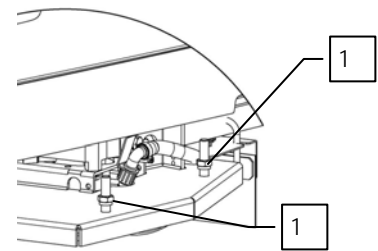
If the splash guard rubbers on the brush head side cover are not positioned correctly in relation to the floor, these may not function properly (i.e. they may not conduct water to the squeegee correctly). The height of the splash guard rubbers must therefore be adjusted. This operation can be done with the brush head body in the work position, proceeding as follows:

1. Check that the parking brake is engaged, and if not, engage it
2. Check that the electrical system connector is disconnected from the battery connector, and if not, disconnect it
3. Check the main switch is on "0" (turn it to this position if necessary)
4. Use suitable equipment to rotate the nuts (1) on the brush head in a clockwise direction



ATTENTION: When the nuts (1) are rotated in a clockwise direction, the side splash guards lower to the floor, while if the nuts (1) are rotated in an anticlockwise direction, the side splash guards will be lifted from the floor.

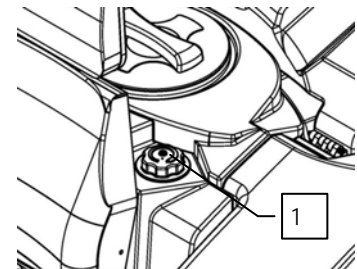
5. Insert the side splash guard pre-assembly
6. Screw the knobs (2) to fasten the side splash guard pre-assembly to the brush head body
7. Check that the rear splash guard rubber (3) is resting on the floor in a uniform manner, if not remove the knobs (2) and the splash guard pre-assembly and adjust the nuts (1) accordingly



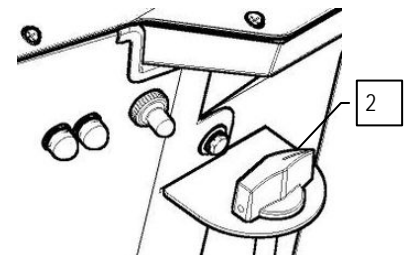
49. CLEANING THE DOSING SYSTEM

If the machine is unused for long periods (more than 48 hours) it is recommended that the dosing system be washed, and to do this proceed as follows:

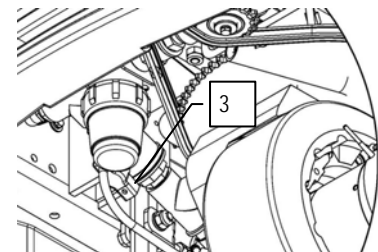
1. Check that the squeegee body is in the rest position (lifted from the ground)
2. Check that the parking brake is engaged, and if not, engage it
3. Check that the electrical system connector is disconnected from the battery connector, and if not, disconnect it
4. Check the main switch is on "0" (turn it to this position if necessary)



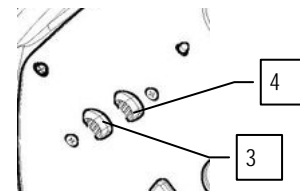
5. Unscrew the cap of the detergent canister (1) and fill it with clean water
6. Refit the cap of the detergent tank
7. Check there is clean water in the solution tank



8. Check that the water tap is turned on fully (2)
9. Verify that the bypass tap (3) is in the "dosing system" position

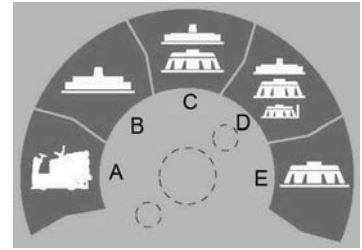


10. Turn the water flow rate adjustment knob (3) to the maximum position
11. Turn the detergent percentage adjustment knob (4) to the maximum position

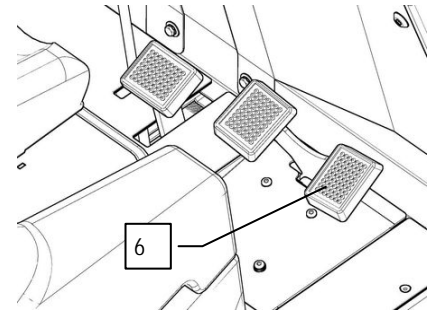


EXTRAORDINARY MAINTENANCE

12. Insert the battery connector into the machine connector.
13. Turn the key of the main switch a quarter of a turn clockwise (to position 1).
14. Disengage the parking brake
15. Make sure that the working program is set to "Work" (position C).



16. Disengage the parking brake
17. Press the accelerator pedal (6) gently to activate the brush head and the dosing system
18. Wait a few minutes keeping the dead man's levers pressed (normally 2 to 4 minutes) to allow the cleaning of the dosing system
19. Empty the solution and detergent canister completely
20. Park the machine in a safe manner



ATTENTION: The machine will deliver solution during this operation

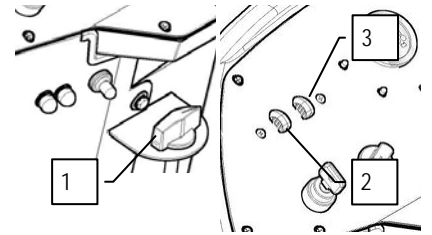
TROUBLESHOOTING

50. THE MACHINE DOES NOT START

1. Check that batteries are charged
2. Make sure the electric system connector is connected to the battery connector
3. Check the key switch is ON/I

51. INSUFFICIENT WATER ON THE BRUSHES

1. Check there is water in the solution tank
2. Check that the water/detergent solution release adjustment knob (1) is open
3. Check that the water/detergent selectors (2-3) are open
4. Clean the solution filter located at the front of the machine



52. THE SQUEEGEE DOES NOT DRY PERFECTLY

1. Check the squeegee is clean
2. Check the squeegee settings (see "MACHINE PREPARATION")
3. Clean the entire vacuum unit (see "WEEKLY MAINTENANCE")
4. Replace the rubber blades, if worn

53. THE MACHINE DOES NOT CLEAN WELL

1. Check the state of wear and tear of the brushes and, if necessary, replace them. The brushes should be changed when the bristles are about 15 mm long. To replace them, see "REPLACING THE BRUSHES", or "DISASSEMBLING THE BRUSHES" and "ASSEMBLING THE BRUSHES". Working with over-worn brushes may cause damage to the floor.
2. Use a different kind of brush to the one fitted as standard. For cleaning floors where the dirt is particularly resistant, we recommend the use of special brushes supplied upon request and according to needs (see "CHOOSING AND USING THE BRUSHES").

54. EXCESSIVE FOAM PRODUCTION

Check that a low foam detergent has been used. If necessary, add a small quantity of anti-foam liquid to the recovery tank.

Remember that, when the floor is not very dirty, more foam is generated. In this case the detergent solution should be more diluted.

55. THE VACUUM CLEANER DOES NOT FUNCTION

1. Check whether the recovery tank is full and, if necessary, empty it
2. Check the float on the vacuum cap (see also "CLEANING THE RECOVERY TANK" in the paragraph "DAILY MAINTENANCE")

56. THE BRUSH MOTOR DOES NOT WORK

ATTENTION To avoid damaging the floor, the engine only starts up when the machine is moved forwards

1. Check that the brush head is lowered during start-up
2. The operator must be properly seated in the driving position
3. Check no thermal protection device has intervened.
4. Check the correct connection of the engine to the terminal board under the footboards.

TROUBLESHOOTING

57. ELECTRIC FUSES AND THERMAL CUT-OUTS

The machine is fitted with the following electrical protection systems:

Power fuses arranged in the electrical box, to protect against short-circuiting
thermal trip units arranged on the outside of the handlebars, to protect the following engines:

1. 25 A trip unit for left suction motor
2. 25 A trip unit for right suction motor

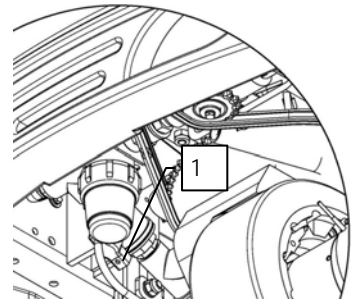
In the event of malfunctioning, check a thermal cut-out has not intervened. If the engine overheats, its thermal cut-out intervenes to block the electricity supply. Wait a few minutes until it has cooled down, then press the specific circuit breaker button to reactivate the power supply and engine operation. If the problem persists, contact the specialist technical assistance centre.

58. THE AUTOMATIC WATER/DETERGENT DOSING SYSTEM DOES NOT WORK

The automatic water/detergent dosing system has been designed with criteria of extreme sturdiness and reliability, but there is a special by-pass system that allows you to use the machine even if the system is out-of-use.

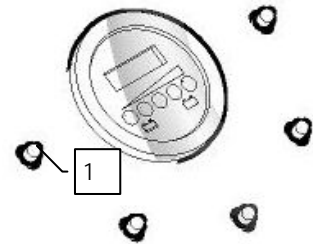
To by-pass the automatic water/detergent dosing system, you must rotate the tap lever (1) on the front of the machine in an anti-clockwise direction; in this way you can go on working even with the system out-of-use. Remember, however, to put not only water in the solution tank, but the right quantities of both water and detergent. With the dosing system out-of-use, the water flow is regulated via the tap on the steering column.

Contact an Authorised FIMAP Retailer to have the system repaired.



59. ALARMS

The machine is fitted with a flashing blinking light (1) for diagnosing faults in the traction motor control system. Each sequence (number of consecutive flashes) indicates a particular type of fault. When flashing begins (with an accompanying operating fault), you should contact the technical assistance centre, specifying the number of flashes.



DISPOSAL

Proceed with scrapping the machine in accordance with the waste disposal regulations in force in the country in which the machine is being used.



CHOOSING AND USING THE BRUSHES

POLYPROPYLENE BRUSH (PPL)

Used on all types of floors. Good resistance to wear and tear, and hot water (no greater than 60°C.). PPL is non-hygroscopic and therefore retains its characteristics even when working in wet conditions.

NYLON BRUSH

Used on all types of floors. Excellent resistance to wear and tear, and hot water (even over 60°C). The nylon is hygroscopic and so tends to lose its characteristics over time when working in wet conditions.

ABRASIVE BRUSH

The bristles of this type of brush are charged with highly aggressive abrasives. It is used to clean very dirty floors. To avoid floor damage, work only with the pressure strictly necessary.

BRISTLE THICKNESS

Thicker bristles are more rigid and are therefore used on smooth floors or floors with small joints.

On uneven floors or those with deep joints, it is advisable to use softer bristles which can enter the gaps more easily.

Remember that when the bristles are worn and therefore too short, they will become rigid and are no longer able to penetrate and clean deep down. In this case, like with over-large bristles, the brush tends to jump.

PAD HOLDER

The pad holder is recommended for cleaning shiny surfaces.

There are two types of pad holder:

1. The traditional pad holder is fitted with a series of anchor points that allow the abrasive floor pad to be held and dragged while working.
2. The CENTRE LOCK type pad-holder not only has anchor points, but also a snap-type central locking system in plastic that allows the abrasive disc to be perfectly centred and held without any risk of it becoming detached. This type of holder is especially suitable for machines with several brushes, where it is difficult to centre the abrasive discs.

TABLE FOR CHOOSING THE BRUSHES

Machine	No.° Br.	Code	Type of bristles	Ø Bristles	Ø Br.	Length	Notes
SMG120 B	2	404627	PPL	0.3	610	-	LIGHT BLUE BRUSH BRUSH BLACK BRUSH WHITE BRUSH LIGHT BLUE BRUSH
		405628	ABRASIVE	-			
		405629	PPL	0.9			
		405630	PPL	0.6			
		431990	PPL	0.3			
		405519	-		585	-	PAD HOLDER

EC DECLARATION OF CONFORMITY

The undersigned manufacturer:

FIMAP S.p.A.
Via Invalidi del Lavoro, 1
37059 Santa Maria di Zevio (VR)

declares under its sole responsibility that the products:

FLOOR SCRUBBING MACHINES
mod. SMg 120

comply with the provisions of Directives:

2006/42/EC: Machinery Directive.
2014/30/EU: Electromagnetic compatibility directive.

They also comply with the following standards:

EN 60335-1:2012/A11:2014
EN 60335-2-72:2012
EN 12100:2010
EN 61000-6-2:2005/AC:2005
EN 61000-6-3:2007/A1:2011/AC:2012
EN 62233:2008/AC:2008

The person authorised to compile the technical file:

Mr. Giancarlo Ruffo
Via Invalidi del Lavoro, 1
37050 Santa Maria di Zevio (VR) - ITALY

Santa Maria di Zevio, 18/09/2019

FIMAP S.p.A.
Legal representative
Giancarlo Ruffo

A handwritten signature in black ink, appearing to read "G. Ruffo", positioned below the printed name.



FIMAP - Via Invalidi del Lavoro, 1 - 37059 S. Maria di Zevio - Verona - Italy
Tel. +39 045 6060411 - Fax +39 045 6060417 - E-mail: fimap@fimap.com
www.fimap.com