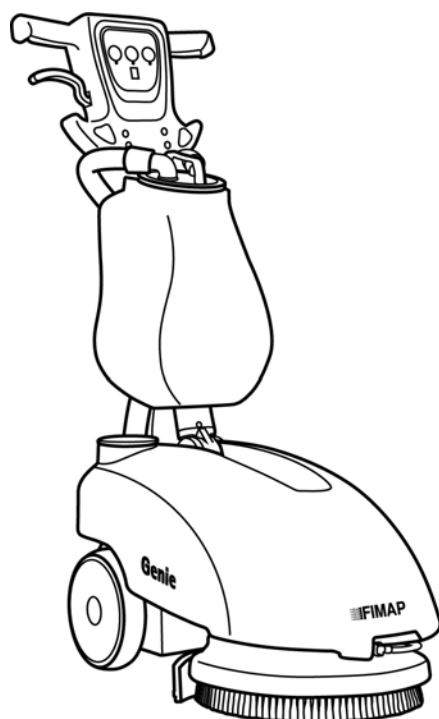


USE AND MAINTENANCE MANUAL



GENIE B

ED. 09-2019

EN

Original instructions
Doc. 10005707
Ver. AE



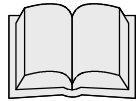
The descriptions contained in this document are not binding.
The company therefore reserves the right to make any modifications at any time to elements, details, or accessory supply, as considered necessary for reasons of improvement or manufacturing/commercial requirements.
The reproduction, even partial, of the text and drawings contained in this document is prohibited by law.

The company reserves the right to make any technical and/or supply modifications. The images are for reference purposes only, and are not binding in terms of design and supply.

Symbols used in the manual



Open book symbol with an "i"
Indicates the need to consult the instruction manual



Open book symbol
Used to tell the operator to read the manual before using the machine



Warning symbol
Carefully read the sections marked with this symbol and observe the indications, for the safety of the operator and the machine



Warning symbol
Indicates danger of gas exhalation and leakage of corrosive liquids



Warning symbol
Danger of fire: keep naked flames at a safe distance



Disposal symbol
Carefully read the sections marked with this symbol, for machine disposal



CONTENTS

ON CONSIGNMENT OF THE MACHINE	5
SERIAL NUMBER PLATE	5
INTRODUCTORY COMMENT	5
INTENDED USE	5
TECHNICAL DESCRIPTION	6
SYMBOLS USED ON THE MACHINE	7
GENERAL SAFETY REGULATIONS	8
MACHINE PREPARATION	9
1. HANDLING THE PACKED MACHINE	9
2. HOW TO UNPACK THE MACHINE	9
3. HANDLING AND TRANSPORTATION OF THE UNPACKED MACHINE	9
4. INSERTING/CONNECTING THE BATTERIES	10
5. CONNECTING THE CONNECTOR	11
6. BATTERY TYPE	11
7. BATTERY MAINTENANCE AND DISPOSAL	11
8. CHARGING THE BATTERY (WITH BUILT-IN BATTERY CHARGER)	12
9. BATTERY INDICATOR	13
10. INSTRUMENT PANEL COMPONENTS	13
11. FIXING THE HANDLEBARS	14
12. SOLUTION TANK	14
13. DETERGENT SOLUTION	14
14. RECOVERY TANK	15
15. ASSEMBLING THE BRUSH	15
WORK	16
1. PREPARING TO WORK	16
2. OVERFLOW DEVICE	16
3. FORWARD MOVEMENTS	16
AT THE END OF THE WORK	17
DAILY MAINTENANCE	18
1. CLEANING THE RECOVERY TANK	18
2. CLEANING THE FRONT AND REAR SQUEEGEES	18
3. REPLACING THE SQUEEGEE RUBBERS	19
4. DISASSEMBLING THE BRUSH	19
PERIODIC MAINTENANCE	20
1. CLEANING THE SQUEEGEE TUBE	20
2. CLEANING THE SOLUTION TANK AND FILTER	20
TROUBLESHOOTING	21
1. ELECTRICAL SYSTEM SAFETY	21
2. INSUFFICIENT WATER ON THE BRUSHES	21
3. THE MACHINE DOES NOT CLEAN WELL	21
4. THE SQUEEGEE DOES NOT DRY PERFECTLY	21
5. EXCESSIVE FOAM PRODUCTION	21
CHOOSING AND USING THE BRUSHES	22
MACHINE DISPOSAL	23
EC DECLARATION OF CONFORMITY	24



On consignment of the machine

When the machine is consigned to the customer, an immediate check must be performed to ensure all the material mentioned in the shipping documents has been received, and also to check the machine has not suffered damage during transportation. If this is the case, the carrier must ascertain the extent of the damage at once, informing our customer service office. It is only by prompt action of this type that the missing material can be obtained, and compensation for damage successfully claimed.

Introductory comment

GENIE B is a floor scrubbing machine which, by means of the mechanical action of the rotating brush and the chemical action of a water/detergent solution, can clean any type of flooring. As it advances, it also collects any removed dirt as well as the detergent solution not absorbed by the floor.

The machine must only be used for this purpose. Even the best machines will only work well if used correctly and kept in good working order. We therefore recommend you read this instruction booklet carefully, and consult it whenever difficulties arise while using the machine. If necessary, remember that our customer assistance service (organised in collaboration with our dealers) is always available for advice or direct intervention.

Intended use

The floor scrubbing machine is designed for the professional cleaning of surfaces and floors in industrial, commercial and public environments only. It is only suitable for use in closed (or at least covered) places.

The machine is not suitable for use in the rain, or under water jets. IT IS FORBIDDEN to use the machine for picking up dangerous dusts or inflammable liquids in places with an explosive atmosphere. In addition, it is not suitable as a means of transport for people or objects.

Serial number plate

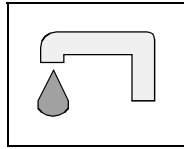




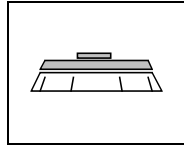
TECHNICAL DESCRIPTION	UM	Genie B
Nominal input power [IEC 60335-2-72; IEC 62885-9]	kW	0,61
Working width	mm	360
Width of rear squeegee	mm	440
Productivity theoretical	m ² /h	1332
Brushes (diameter or length)	Ø mm	356
Brush rpm	rpm	150
Force exerted on brush	N	196
Brush motor	V/W	12 / 360
Forward speed type		Semi-aut.
Maximum gradient		2%
Suction motor	V/W	12 / 250
Maximum vacuum [IEC 62885-9; IEC 60312-1]	kPa	6,6
Solution tank PE	l	8
Recovery tank PE	l	8
Battery compartment dimensions (Length / Height / Width)	mm	275x210x175
Machine dimensions (Length / Height / Width)	mm	690x1115x465
Dimensions of the folded machine (Length/ Height/ Width)	mm	795x440x465
Recommended battery (12 AGM 62)	V / AhC ₅	12-62
Recommended battery weight	kg	24
Machine weight when empty	kg	44
Transported machine weight	kg	68
Weight of the machine when ready for use (GVW)	kg	76
Sound pressure level in operator seat [ISO 11201] (LpA)	dB	69,3
Uncertainty K _{pA}	dB	1.4
Hand-arm vibrations [IEC 60335-2-72; IEC 62885-9; ISO 5349-1]	m/s ²	1,8
Uncertainty		3,50%



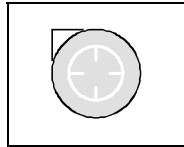
SYMBOLS USED ON THE MACHINE



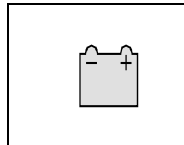
Tap symbol
Used to indicate the solenoid valve switch



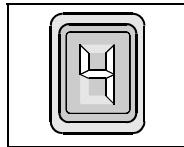
Brush symbol
Used to indicate the brush motor switch



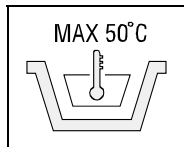
Symbol denoting suction motor
Used to indicate the suction motor switch



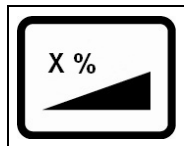
Battery symbol



Battery charge level indicator



Indicates the maximum temperature of the detergent solution
Located near the solution tank inlet



Indicates the maximum gradient



GENERAL SAFETY REGULATIONS

Before using the machine, please read the following document carefully and follow the instructions contained herein, along with the instructions in the document supplied with the machine itself, "GENERAL SAFETY REGULATIONS" (document code 10083659).

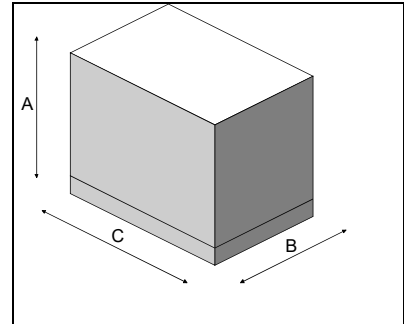


MACHINE PREPARATION

1. HANDLING THE PACKED MACHINE

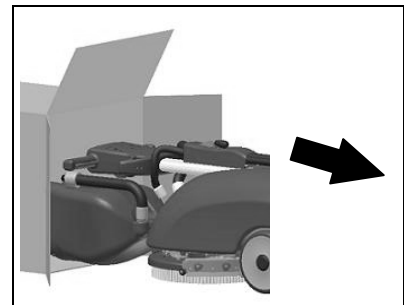
The machine is contained within specific packaging.
Each pallet is composed of four machines on several levels.
It is not possible to place more than two packages on top of each other.
The total weight is 70kg
The overall dimensions are:

- A: 500 mm
- B: 500 mm
- C: 1150 mm



2. HOW TO UNPACK THE MACHINE

1. Open the packaging on the side indicated.
2. Extract the machine from its packaging.
3. Remove the recovery tank.



3. HANDLING AND TRANSPORTATION OF THE UNPACKED MACHINE

Genie is a machine that can be managed in all situations and transported without effort, even in small vehicles.

Just lift the front part, using the machine handlebars as a lever. The big rear wheels mean it can be towed anywhere and loaded on a truck by means of a simple ramp.

Genie E is easy to transport even by car. The total flexibility of the handlebar enables it to be folded, and the machine can then be placed in the boot of the car with the assistance of a colleague, with no need to disassemble any of the elements.



PREPARATION OF THE MACHINE

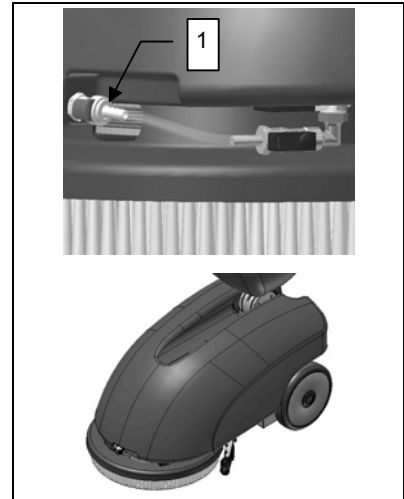
4. INSERTING/CONNECTING THE BATTERIES

In the CB version, the machine is supplied with a built-in battery charger and an airtight gel battery. If you use batteries other than those supplied with the machine, use only 12V AGM or Gel batteries and proceed as follows.

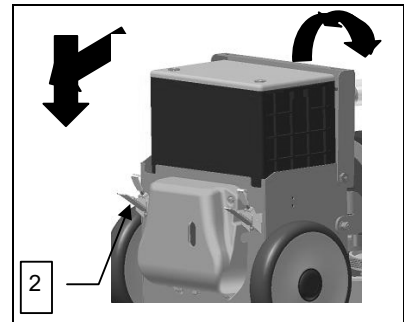
The batteries must be housed in the special compartment beneath the solution tank.

To insert the batteries you must:

1. Disconnect the quick connector (1) located in the front part of the solution tank.
2. Remove the solution tank and place it on the ground.



3. Open the two rear hinges (2) that close the battery compartment.
4. Turn the handlebars, rotating the handlebar movement lever.
5. Position the battery inside the compartment.
6. Connect the cables.



ATTENTION: You are advised to use airtight batteries only, to avoid the leakage of acids!

ATTENTION: All installation and maintenance operations must be carried out by expert personnel, trained at the specialised assistance centre.



ATTENTION: users are advised to always wear protective gloves, to avoid the risk of serious injury to hands.



ATTENTION: you are advised to only lift and move the batteries with lifting and transportation means suitable for the specific weight and size.



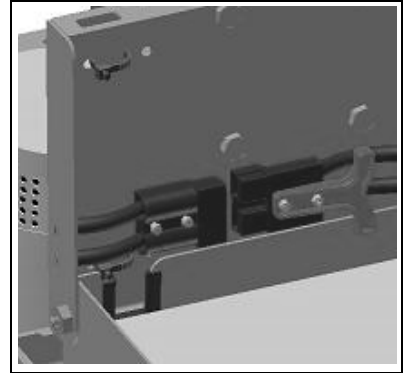
PREPARATION OF THE MACHINE

5. CONNECTING THE CONNECTOR

1. Connect the battery connector to the machine connector.
2. Reassemble all the elements.



ATTENTION: This process must be carried out by qualified personnel. The incorrect or imperfect connection of the cables to the connector can seriously harm people and damage objects



6. BATTERY TYPE

To power the machine it is necessary to use:

- sealed traction batteries with gas recombination or gel technology.
OTHER TYPES MUST NOT BE USED.

The batteries must meet the requirements laid out in the norms: CEI EN 60254-1:2005-12 (CEI 21-5) + CEI EN 60254-2:2008-06 (CEI 21-7)

Every battery consists of DIN-type elements connected in series and providing the clamps with a power of 12 V. You are advised to use batteries with an electric capacity of 65 Ah (C5)

7. BATTERY MAINTENANCE AND DISPOSAL

For maintenance and recharging, respect the instructions provided by the battery manufacturer. Particular attention must be paid when choosing the battery charger, if not supplied, since there are different kinds according to the type and capacity of the battery.

When the battery reaches the end of its working life, it must be disconnected by expert, trained personnel, then lifted (using the grips and suitable lifting devices) to remove it from the battery compartment. EXHAUSTED BATTERIES ARE CLASSIFIED AS DANGEROUS WASTE AND MUST BE CONSIGNED TO THE AUTHORISED BODIES FOR CORRECT DISPOSAL.

Proceed as follows when the battery is dead:

1. Disconnect the quick connector and remove the solution tank.
 2. Open the battery compartment and disconnect the connector.
- Remove the battery by using suitable devices, lifting it with the provided handles.



ATTENTION: users are advised to always wear protective gloves, to avoid the risk of serious injury to hands.



ATTENTION: you are advised to only lift and move the batteries with lifting and transportation means suitable for the specific weight and size



PREPARATION OF THE MACHINE

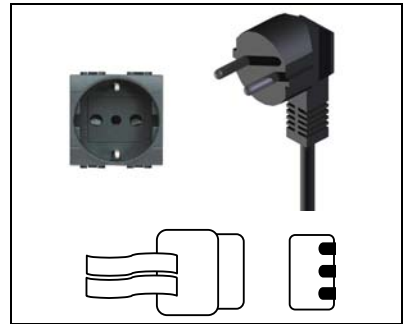
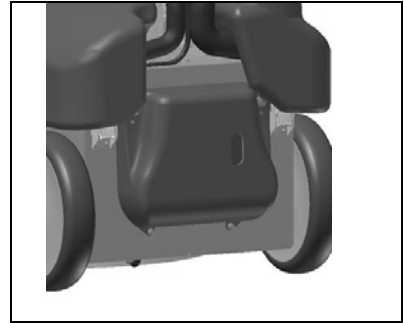
8. CHARGING THE BATTERY (WITH BUILT-IN BATTERY CHARGER)

Perform a battery charging cycle before using the machine.

When replacing the battery, be sure to use batteries that are suitable for the battery charger installed (use only 12V AGM or Gel batteries).

To charge the battery you must:

1. Make sure the recovery tank and the solution tank are empty.
2. Move the machine near to the battery charger.
3. Remove the battery charger connector socket protection on the back of the machine (1).
4. Plug the battery charger cable (supplied with the machine) into the freed socket.
5. Plug the battery charger cable into the mains socket.
6. For the correct use of the battery charger, follow the instructions in the enclosed booklet.



ATTENTION: If one of the three LEDs flashes refer to the battery charger manual supplied with the machine



ATTENTION: The machine is equipped with an automatic system that disconnects the power supply from the electrical system while the batteries are being recharged

ATTENTION: In order not to cause permanent damage to the batteries, it is essential to avoid their complete discharge: arrange the recharge within a few minutes of the switching on of the "discharged batteries" blinking light.

ATTENTION: Never leave the batteries completely flat, even if the machine is not being used.

ATTENTION: For the daily recharging of the batteries, you must fully respect the indications provided by the manufacturer or retailer. all installation and maintenance operations must be carried out by specialised personnel.

ATTENTION: Do not move the machine when the battery charger power supply cable is connected to the battery charger.



ATTENTION: Danger of gas exhalation and leakage of corrosive liquids.



ATTENTION: Danger of fire: Keep naked flames at a safe distance.

In the event that the charger is not incorporated into the machine, carefully read the use and maintenance manual of the charger being used to recharge the batteries.



PREPARATION OF THE MACHINE

9. BATTERY INDICATOR

The battery indicator is digital, with 4 fixed positions and a flashing one. The numbers that appear on the display show the approximate charge level.

4 = maximum charge

3 = $\frac{3}{4}$ charge

2 = $\frac{2}{4}$ charge

1 = $\frac{1}{4}$ charge

0 = discharged batteries (flashing)



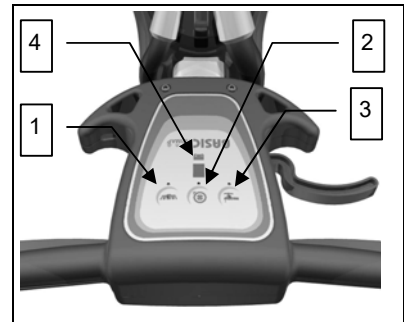
ATTENTION: A few seconds after the appearance of the flashing "0", the brush motor switches off automatically. With the remaining charge it is still possible, however, to complete the drying process before recharging



10. INSTRUMENT PANEL COMPONENTS

The instrument panel components are identified as follows:

1. Main switch (1).
2. Suction switch (2).
3. Solenoid valve switch (3).
4. Digital battery level indicator (4).





MACHINE PREPARATION

11. FIXING THE HANDLEBARS

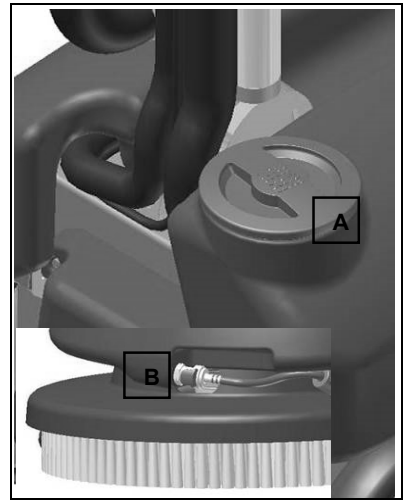
For packaging purposes the handlebars are supplied folded; they must now be put in the working position. Proceed as follows:

1. raise the handlebars by pulling the lever - indicated by the arrow - upwards.
2. place the machine in the working position.
3. attach the recovery tank to the handlebars tube by means of the two hooks.
4. insert the tubes in the connectors that emerge from the recovery tank nut.



12. SOLUTION TANK

The recovery tank must be completely empty each time the solution tank is filled. Verify that the cap is correctly inserted in its housing (A). Verify that the quick connection is correctly connected (B).



13. DETERGENT SOLUTION

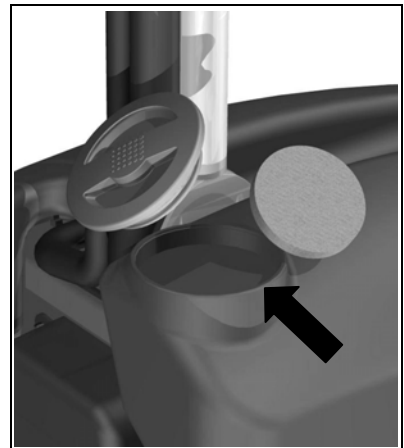
Proceed as follows to fill the solution tank:

1. Make sure that the recovery tank is empty.
2. Make sure that the main switch is off.
3. Remove the inlet cap located on the right rear side of the machine.
4. Fill it with clean water at a temperature not exceeding 50°C.

Add the liquid detergent to the tank in the concentration and manner indicated on the detergent manufacturer's label. The formation of excess foam could damage the vacuum motor, so use only the minimum amount of detergent that is necessary.



ATTENTION: Acid or alkaline maintenance detergent can be used with pH values between 4 and 10 and that do not contain: oxidising agents, chlorine or bromine, formaldehyde, mineral solvents.





PREPARATION OF THE MACHINE



ATTENTION: Always use detergents whose manufacturer's label indicates their suitability for use with floor scrubbing machines. Do not use acid or alkaline products or solvents without this indication. always use low-foam detergent. To avoid the production of foam, put a minimum quantity of antifoam liquid in the recovery tank before starting to clean. Do not use pure acids.



ATTENTION: users are advised to always wear protective gloves, to avoid the risk of serious injury to hands.

14. RECOVERY TANK

Make sure the recovery tank is empty, otherwise empty it completely. Verify that the recovery tank is correctly inserted in its housing, and that the tubes are correctly inserted in the tank elbows. Verify that the cap is correctly closed.



15. ASSEMBLING THE BRUSH

To insert the brush:

1. Place the brush in front of the base body.
2. Raise the brush head by using the handlebars as a lever.
3. Place the brush head above the brush.
4. Activate the handlebar tilt lever.
5. Press the main switch to turn on the machine.
6. Pulse press the dead man's lever to engage the brush to the brush head.



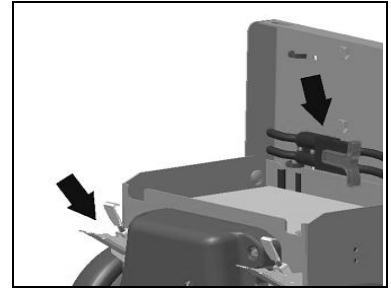


WORK

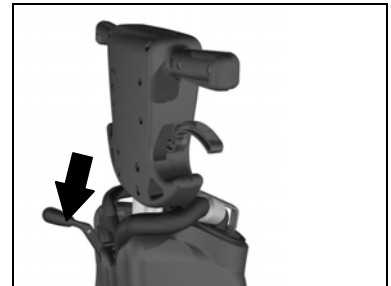
1. PREPARING TO WORK

Before fitting the tanks, it is necessary to carry out certain operations:

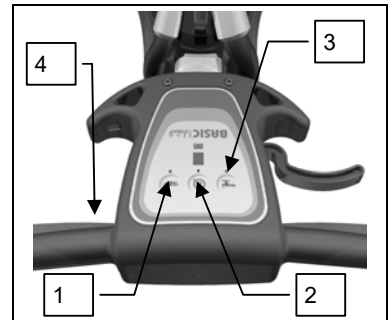
1. Open the two rear hinges of the battery compartment.
2. Connect the connector to the batteries.
3. Close the battery compartment.
4. Make sure that the recovery tank is empty.
5. Position the recovery tank on the handlebars, and connect the two tubes.
6. Position the solution tank and connect the quick connector.



7. Carry out the operations to prepare the machine.
8. Lower the squeegee command lever in order to start working.



5. Press the main switch (1) and verify that the green indicator light comes on.
6. Press the suction switch (2).
7. Press the solenoid valve switch (3).



At this point - by using the operating lever that activates the brushes (4) - the machine can work efficiently until the detergent solution runs out or the batteries run flat

2. OVERFLOW DEVICE

The machine is fitted with a ball filter which is activated when the recovery tank is full, causing the suction tube to close.

In this case, it is necessary to switch off the machine and empty the recovery tank.



ATTENTION: This operation must be carried out wearing gloves to protect against contact with dangerous solutions.

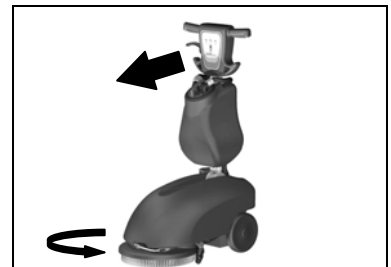


3. FORWARD MOVEMENTS

The traction of these machines is obtained by means of the brush which, by working slightly inclined, is able to drag the machine forwards.



ATTENTION: when making even brief reverse movements, verify that the squeegee is raised.

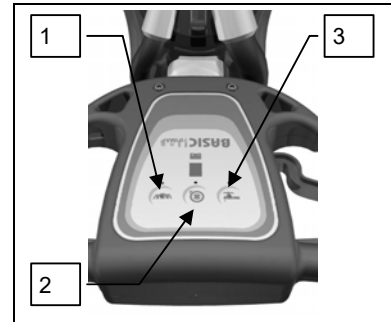




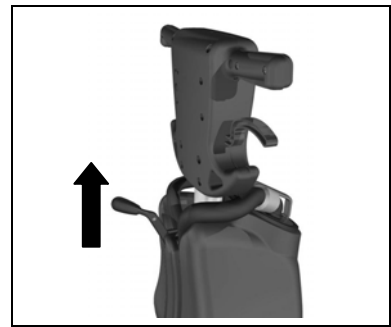
AT THE END OF THE WORK

At the end of the work, and before carrying out any type of maintenance, perform the following operations:

1. Turn off the solenoid valve switch (3).
2. Turn off the suction switch (2).
3. Turn off the brush / main switch (1).



4. Raise the rear handle to lift up the squeegee.



5. Take the machine to the location designated for draining the water.
6. Remove the recovery tank, then remove the bayonet cap and tilt the tank to empty it.
7. Remove the solution tank, then remove the filler cap and tilt the tank to empty it.
8. Disassemble the brush and clean it with a jet of water (to disassemble the brush, see "DISASSEMBLING THE BRUSH" below).



ATTENTION: This operation must be carried out wearing gloves to protect against contact with dangerous solutions.



DAILY MAINTENANCE

PERFORM ALL MAINTENANCE OPERATIONS IN SEQUENCE

1. CLEANING THE RECOVERY TANK

1. Remove the tubes attached to the connectors of the recovery tank cap.
2. Disconnect the recovery tank from the handlebars.
3. Remove the cap and empty the tank.
4. Clean the filter under running water.
5. Rinse the tank and clean with a jet of water.
6. Assemble all of the components.



ATTENTION: Before carrying out any type of maintenance, disconnect the machine's battery connector.

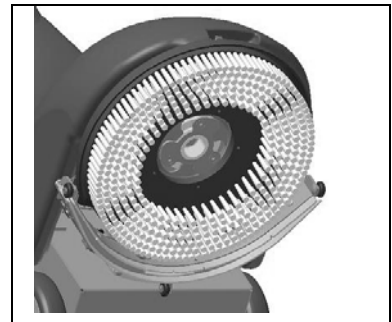


ATTENTION: This operation must be carried out wearing gloves to protect against contact with dangerous solutions.

2. CLEANING THE FRONT AND REAR SQUEEGEES

Verify that the squeegee rubbers are always clean, for a better drying action.
To clean them you must:

1. raise the machine
2. carefully clean the inside
3. carefully clean the squeegee rubbers.



ATTENTION: Before carrying out any type of maintenance, disconnect the machine's battery connector.



ATTENTION: This operation must be carried out wearing gloves to protect against contact with dangerous solutions.

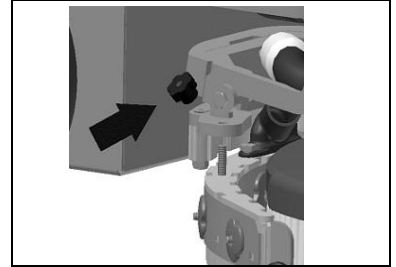


DAILY MAINTENANCE

3. REPLACING THE SQUEEGEE RUBBERS

Verify that the state of wear and tear of the squeegee rubbers and, if necessary, replace them. To replace it you must:

1. Raise the squeegee.
2. Remove the two knobs.
3. Dis-assemble the squeegee from its support.
4. Remove the tube from the squeegee nozzle so that the squeegee can be removed.

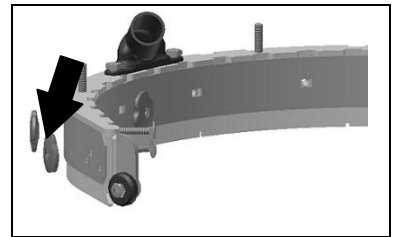


ATTENTION: Before carrying out any type of maintenance, disconnect the machine's battery connector.



ATTENTION: This operation must be carried out wearing gloves to protect against contact with dangerous solutions.

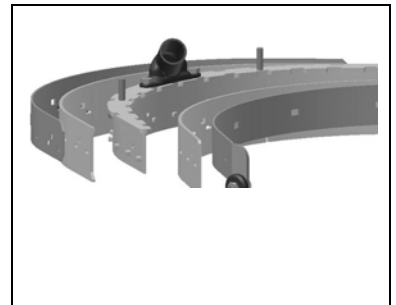
5. Unscrew the knobs on the squeegee that lock the rubber-pressing blades in place and remove them.
6. Remove the rubber-pressing blades.
7. Replace the rubbers.
8. Assemble all of the components.



ATTENTION: Before carrying out any type of maintenance, disconnect the machine's battery connector.



ATTENTION: This operation must be carried out wearing gloves to protect against contact with dangerous solutions.

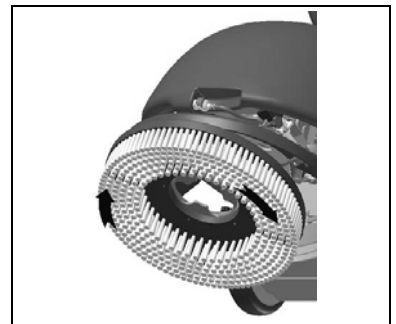


4. DISASSEMBLING THE BRUSH

1. Raise the squeegee.
2. Raise the machine, using the handlebars as a lever.
3. With the base up, activate the brush command with impulses. The brush will be automatically released.



ATTENTION: During this operation, check there are no people or objects near the brush.





PERIODIC MAINTENANCE

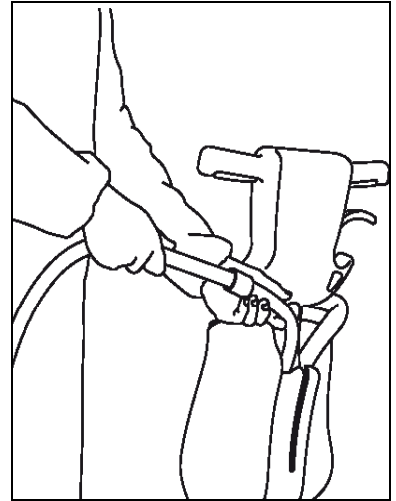
1. CLEANING THE SQUEEGEE TUBE

Periodically, or whenever suction seems to be unsatisfactory, verify that the squeegee tube is not obstructed. To clean it, proceed as follows:

1. Remove the tube from the sleeve on the squeegee
2. Remove the other end from the recovery tank
3. Wash the inside of the tube with a water jet introduced from the side where it is connected to the tank
4. Re-assemble the tube.



ATTENTION: Do not wash the tube running between the suction unit and the suction cap



2. CLEANING THE SOLUTION TANK AND FILTER

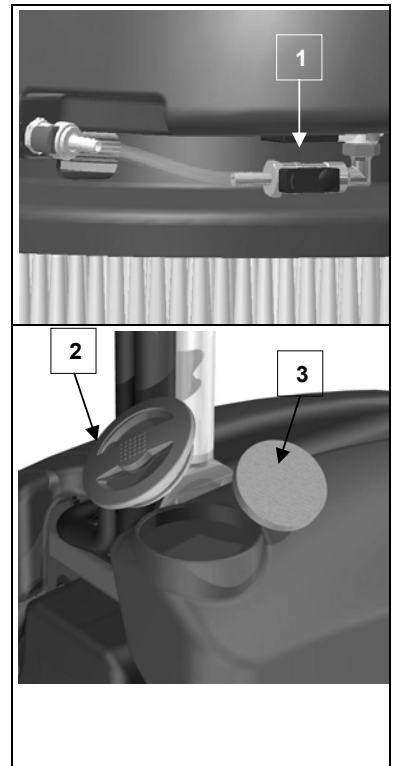
1. Detach the quick connection (1) to avoid breaking the connection itself.
2. Remove the solution tank.
3. Unscrew the filler cap (2).
4. Remove the filter and clean it (3).
5. Rinse the tank and clean with a jet of water.
6. Re-assemble the tank, carrying out the above operations in the reverse order.
7. Reassemble the filter and cap.



ATTENTION: Before carrying out any type of maintenance, disconnect the machine's battery connector.



ATTENTION: This operation must be carried out wearing gloves to protect against contact with dangerous solutions.

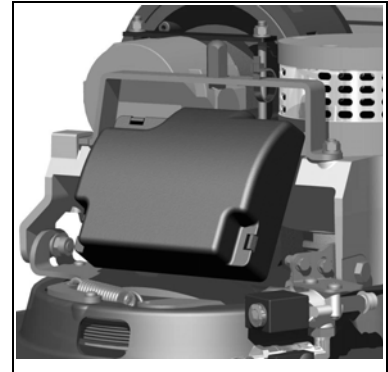




TROUBLESHOOTING

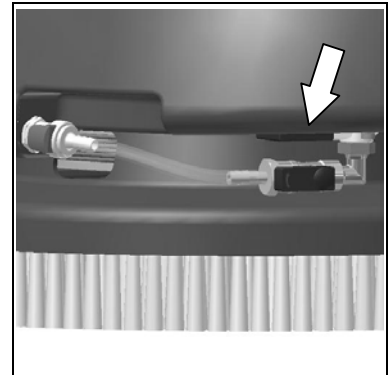
1. ELECTRICAL SYSTEM SAFETY

The machine is fitted with self-restoring safety fuses located in the electric system (beneath the solution tank) that interrupt the power supply to the brush and suction motors when the machine exceeds the predetermined load. To restore the power supply to the motor, switch off the machine and wait for the fuses to cool down (about 40 seconds). If the switch disconnects the current again, contact the FIMAP technical assistance centre.



2. INSUFFICIENT WATER ON THE BRUSHES

1. Verify that the solution tank filter is clean.
2. Verify that the solenoid valve switch is on.
3. Verify that the quick connection is correctly inserted.
4. Check the cock regulation screw on the water outlet.

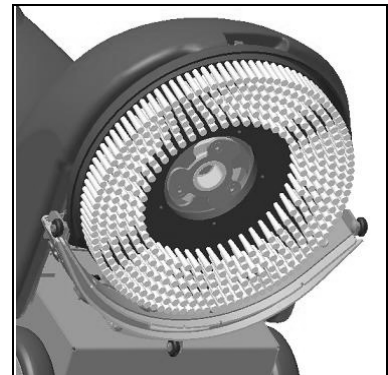


3. THE MACHINE DOES NOT CLEAN WELL

1. Check the state of wear and tear of the brushes and, if necessary, replace them. The brushes should be changed when the bristles are about 15mm long.

4. THE SQUEEGEE DOES NOT DRY PERFECTLY

1. Verify that the squeegee rubbers are clean.
2. Verify that the suction tubes are correctly inserted in their housing on the squeegee.
3. Verify that the distributor is clean.
4. Replace the rubbers, if worn



5. EXCESSIVE FOAM PRODUCTION

Check that a low foam detergent has been used. If necessary, add a small quantity of anti-foam liquid to the recovery tank.

Remember that, when the floor is not very dirty, more foam is generated. In this case the detergent solution should be more diluted.



CHOOSING AND USING THE BRUSHES

POLYPROPYLENE BRUSH (PPL)

Used on all types of floors. Good resistance to wear and tear, and hot water (no greater than 60°C.). PPL is non-hygroscopic and therefore retains its characteristics even when working in wet conditions.

PAD HOLDER

The pad holder is recommended for cleaning shiny surfaces.

There are two types of pad holders of the CENTRE LOCK type, equipped with a snap-type central locking system in plastic that allows the abrasive floor pads to be perfectly centred and held without any risk of them becoming detached:

1. fitted with a series of anchor points that allow the abrasive floor pad to be held and dragged while working
2. fitted with a series of groups of bristles that allow the abrasive floor pad to be held and dragged while working

TABLE FOR CHOOSING THE BRUSHES

Machine	No.° of brushes	Code	Type of bristles	Ø Bristles	Ø Brush	Notes
GENIE B	1	421701	PPL	0.6	355	
		422213	Pad holder – anchor		355	
		422001	Pad holder – bristles	0.9	355	



MACHINE DISPOSAL

Dispose of the machine in accordance with the waste disposal regulations in force in the country in which the machine is being used.





EC DECLARATION OF CONFORMITY

FIMAP S.p.A.

Via Invalidi del Lavoro, 1
37059 Santa Maria di Zevio (VR)

declares under its sole responsibility that the products

FLOOR SCRUBBING MACHINES

mod. Genie B CB

comply with the provisions of Directives:

2006/42/EC: Machinery Directive.

2014/35/EC: Low Voltage Directive.

2014/30/EC: Electromagnetic compatibility directive.

They also comply with the following standards:

EN 60335-1:2012/A11:2014

EN 60335-2-72:2012

EN 12100:2010

EN 60335-2-29:2004/A2:2010

EN 61000-6-2:2005/AC:2005

EN 61000-6-3:2007/A1:2011/AC:2012

EN 61000-3-2:2014

EN 61000-3-3:2013

EN 55014-1:2006/A1:2009/A2:2011

EN 55014-2:2015

EN 62233:2008/AC:2008

The person authorized to compile the technical file:

Mr. Giancarlo Ruffo

Via Invalidi del Lavoro, 1

37059 Santa Maria di Zevio (VR) - ITALY

Santa Maria di Zevio (VR), 16/09/2019

Fimap S.p.A.
Legal representative
Giancarlo Ruffo



The undersigned manufacturer:
FIMAP S.p.A.
Via Invalidi del Lavoro, 1
37059 Santa Maria di Zevio (VR)
declares under its sole responsibility that the products

FLOOR SCRUBBING MACHINES
mod. Genie B

comply with the provisions of Directives:

2006/42/EC: Machinery Directive.
2014/30/EC: Electromagnetic compatibility directive.

They also comply with the following standards:

EN 60335-1:2012/A11:2014
EN 60335-2-72:2012
EN 12100:2010
EN 61000-6-2:2005/AC:2005
EN 61000-6-3:2007/A1:2011/AC:2012
EN 62233:2008/AC:2008

The person authorized to compile the technical file:

Mr. Giancarlo Ruffo
Via Invalidi del Lavoro, 1
37059 Santa Maria di Zevio (VR) - ITALY

Santa Maria di Zevio (VR), 16/09/2019

Fimap S.p.A.
Legal representative
Giancarlo Ruffo

