

My16



Less...

... is more!



 **FIMAP**[®]

My16

My16 B. More sales opportunities... with less effort!

It is suitable for maintenance cleaning
with many obstacles that are currently still cleaned using manual methods

Benefits

Considerably shorter
time required
to clean the same
surface

Highest safety for the
operator thanks to full
compliance with
European standards

Thanks to extreme
user-friendliness, no skilled
personnel is required.
No fatigue for the operator
so that higher productivity
is ensured

Thanks to its extreme
simplicity, minimum
maintenance
is required

Excellent cleaning
and
sanitation results

Suitable for which environments?

AUTOMOTIVE SECTOR

Small showrooms
of car repair shops,
Car electricians,
Tyre dealers,
Machine shops,
Car body shops,
etc.

SERVICES

Service stations/rest areas,
Religious institutions,
Shops,
Sports facilities
(swimming pools,
gyms, locker rooms),
etc.

PUBLIC BODIES

Offices,
Schools,
Libraries,
Barracks,
etc.

TRADE

Small shopping centres,
Supermarkets,
Delicatessen,
Bakeries,
Food shops,
etc.



My16 B passes easily through traditional doors

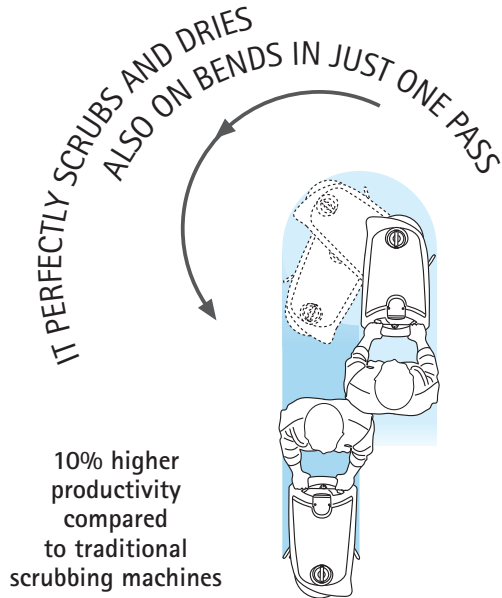


My16 B, thanks to its extremely large wheels, can easily get over the steps

My16

My16 B. More cleaning... with fewer passes!

My16 B is a floor scrubbing machine which provides excellent manoeuvrability. Its large diameter wheels make it easy to move around in areas with many obstacles and ensure easy transportability.



My16 B is more productive on bends!

Thanks to its small size, My16 B can very easily turn 360 degrees so to clean the turning area in just one pass.



My16 B

Better hygiene... with less effort!

The suction motor combined with the squeegee ensures excellent drying results.



Parabolic squeegee swinging around the brush



Parabolic squeegee at rest



Parabolic squeegee swinging to the other side



Perfect drying against slip and fall

My16 B ensures perfect drying even on bends, thanks to its parabolic squeegee swinging around the brush



- In order to ensure excellent drying performance, the squeegee rubbers should be kept always clean. When worn out, they are very easy to replace

My16 B removes completely dirt and sanitizes perfectly environments



Recovery tank

Solution tank with fresh water

Suction motor

Water outflow from the centre of the brush

- Excellent drying performance also thanks to water outflow from the centre of the brush which prevents splashes of water on the floor



My16 B. Greater holding capacity. in smaller space!



My16 B. Greater autonomy... with lower energy consumption!



Over 60 minutes working autonomy with energy saving up to 35%.

The innovative design of the base that allows a constant brush pressure on the floor and the Eco ON/OFF safety device, which stops water flow and brush when the machine is idle, assure a considerable energy saving.



Automatic squeegee and brush adjusting system



Thanks to the automatic squeegee and brush adjusting system, the machine can automatically adjust to any type of floor.



The battery - when flat - can be easily replaced with a new one so that the machine provides longer operating cycles.

My16 B comes with a built-in battery charger

Recharging operations are extremely easy and you just have to plug the battery charger cable into a normal mains socket. During recharging, My16 B is completely isolated, so that no high-voltage electricity gets into the machine circuit



With the new additional external battery charger, My16 B provides twice the operating autonomy



For My16 B an additional battery charger - with battery included - is also available so that recharging becomes extremely simple. Thanks to the additional battery, the operating cycle of the machine can become twice as long. (optional extra)

My16 B. Greater user-friendliness... with less skilled operators!

My16 B is user-friendly:
just fill up the solution tank with water and detergent,
fit the brush and lower the squeegee to start operating.



- **Automatic brush coupling system.**
Just a light impulse of the brush motor control is enough to couple and release the brush automatically

My16 B. Greater saving... with less maintenance!

Thanks to the simple structure of My16 B, maintenance procedures do not require any tools.

USER-FRIENDLY! During ORDINARY maintenance procedures!



- Easy cleaning of the recovery tank through its practical discharge hose



- Periodic cleaning of the squeegee hose to ensure efficient suction



- Simple and practical thorough cleaning of the suction filter



- Cleaning of the solution tank filter

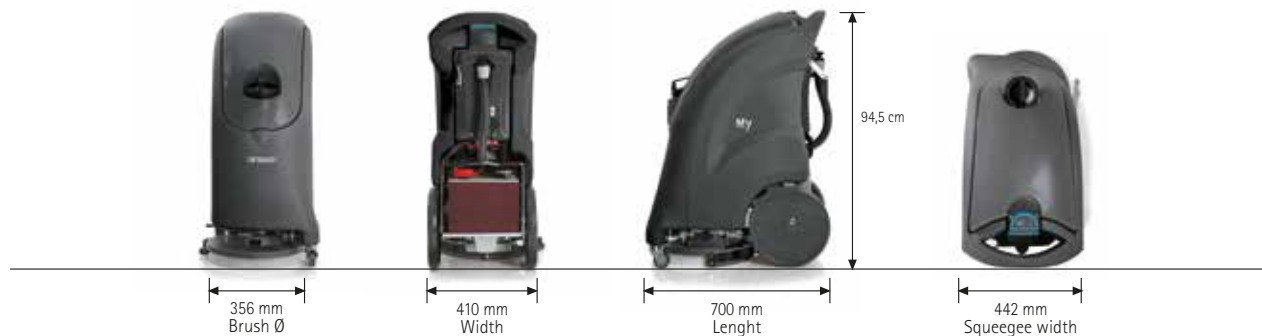
USER-FRIENDLY! During EXTRAORDINARY maintenance procedures!



- Lowering the brush head assembly into the operating position



My16 B comes complete with: gel battery, built-in battery charger and brush or pad holder



TECHNICAL DATA		My16 B
Productivity theoretical	up to sqm/h	1215
Working width	mm	410
Disc brush	(no.) Ø mm	(1) 356
Brush motors	V/W	12/360
Brush rpm	rpm	140
Brush pressure	kg	20
Solution tank	l	19
Recovery tank	l	15
Suction motor	V/W	12/250

TECHNICAL DATA		My16 B
Supply/traction	V	12/semi aut.
Batteries	(no.) V/Ah C5	(1) 12/62
Battery run time	up to h	1,30
Transport speed	km/h	3
Gradeability during transport empty	%	2
Machine dimensions (L x h x w)	mm	700x945x470
Squeegee width	mm	442
Machine weight empty without batteries	kg	41
Batteries weight	kg	24
Sound level (IEC 704/1)	dB (A)	64,7

Manufacturing My16 B with plastic materials, aluminium and steel provides full anti-rust protection.
My16 B is also made from high quality components which offer excellent reliability.

CERTIFICATIONS



For any additional information or for a demo please contact your usual Fimap dealer



FIMAP spa - Via Invalidi del Lavoro, 1 - 37059 S. Maria di Zevio - Verona - Italy
Tel. +39 045 6060411 - Fax +39 045 6060417 - E-mail: fimap@fimap.com

